



ASSA ABLOY

Model	Follower rod	Panic function	External activation	Internal activation	Function	Application
CF50ASR9	Double	Yes	Handle/pull handle + key	Handle + key	The key removes the lever and the latch	Passage doors
CF50NG	Simple	No	Pull handle/handle + key	Handle + key	The key removes the lever and the latch	Passage doors
CF60RSR9 *	Double	Yes	Handle/pull handle + key	Handle + key	The key deadlocks the external handle	Emergency exit
CF6TRSR9	Double	Yes	Handle/pull handle + key	Panic bar	The key deadlocks the external handle	Emergency exit
CF6900R9	Simple	Yes	Pull handle/handle + key	Handle	External opening with a key	Entrance hall
CF6500R9Z	Simple	Yes	Handle	Handle	Free passage by both sides	Passage doors

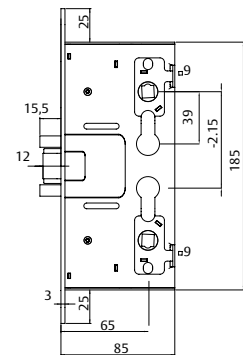
\* Strike included

## CF-50 Series

- » Certified according UNE-EN 12209: 2004.
- » Sintered steel latch: endures temperatures over 900° C.
- » 9x9 mm follower rod.
- » Distance between each axis: 72 mm.
- » Backset 65mm
- » Reversible (non handed)
- » Zinc plated steel (Z) or stainless steel (I) frontplate



CERTIFIED ACCORDING  
UNE-EN  
12209:2004

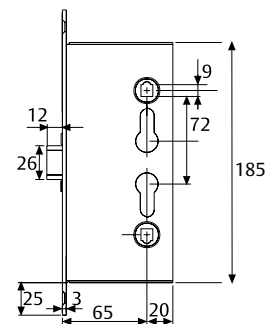


Product code	Function	Packaging
CF50NGTR9Z/ICE	No panic	1 / 25
CF5ENGTR9Z/ICE	No panic	1 / 1
CF50ASR9Z / I	Panic	1 / 25

## CF-60 Series

- » Certified according UNE-EN1125:2009
- » Certified according UNE-EN 12209: 2004.
- » CF60 lock cylinder not included, panic function for all versions.
- » Backset 65 mm
- » Distance between each axis 72 mm
- » Reversible (non handed)
- » Sintered steel latch: endures temperatures over 900° C.
- » 9x9 mm follower rod.

CERTIFIED ACCORDING  
UNE-EN  
12209:2004  
1125:2009



Product code	Function	Packaging
CF60RSR9ZCE/I	Handle + key	1 / 25
CF6ERSR9Z	Handle + key	1 / 1 and 1 / 20
CF6IRSR9Z	Inwards opening	1 / 25
CF6500R9Z	Free passage doors*	1 / 25
CF6900R9Z	External opening with a key**	1 / 25

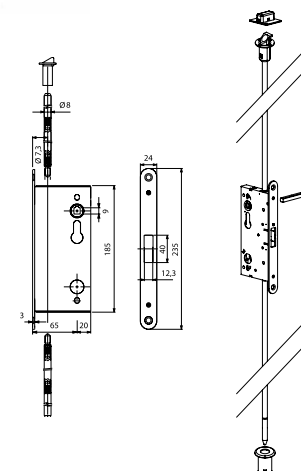
\* Cylinder not allowed

\*\* External lever not allowed

## Counter lock CF-32

Product code	Function	Packaging
RETCF32	Vertical rod device blocking system	1 / 25
CF322EN1SR9Z/ICE	Counter lock	1 / 1 and 1 / 20
BARVECF32CE	Vertical rod device	1 / 25

CERTIFIED ACCORDING  
UNE-EN  
1125:2009



Pour plus d'informations, visitez [www.tesa.es](http://www.tesa.es)  
ou envoyer un e-mail à [marketing@tesa.es](mailto:marketing@tesa.es)