

# High security cylinder TK6



ASSA ABLOY

## Technical data

New model designed to cover two basic necessities in the market. On the one hand has been made with an exclusive and patented combination technology to solve complex master key suites and on the other hand a new security sensor lets the owner control all the keys in one installation.



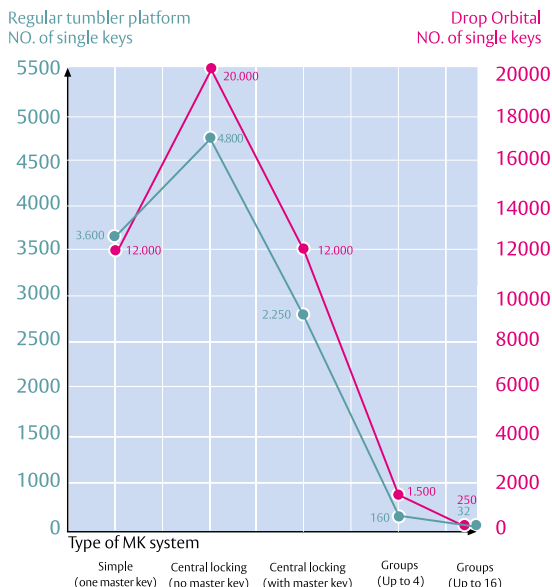
## Characteristics

- » Type: Patented sawn key with security sensor.
- » Number of rows: 1
- » Number of pins: 6.
- » Technology: DROP ORBITAL (Exclusive TESA rights)
- » Permutation level: Grade 6.
- » Corrosion resistance: Grade B
- » Anti pick cylinder lock (High resistance.)
- » Bump proof system.
- » Drill protection grade 1.
- » 3 patented keys made of nickel silver.
- » Conform to EN-1303 regulation.
- » Lifespan: 100,000 test cycles.
- » Master key systems: Medium capability in combination with DROP ORBITAL platform.

## Options

- » Finishes: Brass / Nickel.
- » Cam: DIN R15 and R13
- » Formats available: Key different, mater keyed, key alike and specific codes.
- » A wide range of sizes and profiles.
- » Colour points to differentiate master key levels.

## Master key system



## European standard regulation

In the same way as the main models included in the catalogue, the TK6 is certified according to the European standard regulation.

1	6	0	B	0	C	6	0
Key resistance (Grade 0-1)	Lifespan (Grade 4-6)	Door mass (Not applied in cylinders)	Fire resistance (Grade 0-A-B)	Safety of the people (Not applied in cylinders)	Corrosion and temperature resistance (Grade 0-A-B-C)	Key related security (Grade 1 to 6)	Attack resistance (Grade 0-A-B-C-D)

\*Note: with the shield E700 the attack resistance rise to the level 2.

## Recommendations

- » Use TESA lubricant to lengthen the maximum lifespan of the cylinder.
- » TESA recommends to the user of the TK6 to keep the property card in a safe and secure location. Only by presenting this card, can one obtain key and cylinder copies.
- » For safety reasons, when you install a new cylinder, remember that once installed, it should not project more than 1mm.




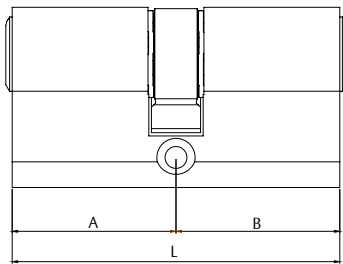
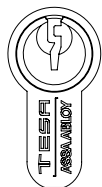
Pour plus d'informations, visitez [www.tesa.es](http://www.tesa.es) ou envoyer un e-mail à [marketing@tesa.es](mailto:marketing@tesa.es)

# High security cylinder TK6

Patented

## European profile

 32 units (L≤90)  
30 units (L>90)



European profile		L	A	B	Cam = 15 mm	Finish	Short cam Cam = 13,2 mm	Finish
		60	30	30	AK635 30 30 L	Brass	AK63M 30 30 N	Nickel
		65	30	35	AK635 30 35 L	Brass	AK63M 30 35 N	Nickel
		70	30	40	AK635 30 40 L	Brass	AK63M 30 40 N	Nickel
		70	35	35	AK635 35 35 L	Brass	AK63M 35 35 N	Nickel
		75	30	45	AK635 30 45 L	Brass	AK63M 30 45 N	Nickel
		75	35	40	AK635 35 40 L	Brass	AK63M 35 40 N	Nickel
		80	30	50	AK635 30 50 L	Brass	AK63M 30 50 N	Nickel
		80	35	45	AK635 35 45 L	Brass	AK63M 35 45 N	Nickel
		80	40	40	AK635 40 40 L	Brass	AK63M 40 40 N	Nickel
		85	35	50	AK635 35 50 L	Brass	AK63M 35 50 N	Nickel
		90	30	60	AK635 30 60 L	Brass	AK63M 30 60 N	Nickel
		90	35	55	AK635 35 55 L	Brass	AK63M 35 55 N	Nickel
		90	40	50	AK635 40 50 L	Brass	AK63M 40 50 N	Nickel
		90	45	45	AK635 45 45 L	Brass	AK63M 45 45 N	Nickel
		100	30	70	AK635 30 70 L	Brass	AK63M 30 70 N	Nickel
		100	40	60	AK635 40 60 L	Brass	AK63M 40 60 N	Nickel
		100	50	50	AK635 50 50 L	Brass	AK63M 50 50 N	Nickel
		110	30	80	AK635 30 80 L	Brass	AK63M 30 80 N	Nickel
		110	50	60	AK635 50 60 L	Brass	AK63M 50 60 N	Nickel
		120	30	90	AK635 30 90 L	Brass	AK63M 30 90 N	Nickel
		120	40	80	AK635 40 80 L	Brass	AK63M 40 80 N	Nickel
		120	60	60	AK635 60 60 L	Brass	AK63M 60 60 N	Nickel
		130	30	100	AK635 31 00 L	Brass	AK63M 31 00 N	Nickel
		140	40	100	AK635 41 00 L	Brass	AK63M 41 00 N	Nickel
		150	50	100	AK635 51 00 L	Brass	AK63M 51 00 N	Nickel
		160	60	100	AK635 61 00 L	Brass	AK63M 61 00 N	Nickel
Single european		L	A	B	Cam = 15 mm	Finish	Cam = 13,2 mm	Finish
		40	30	10	AK635 30 10 L	Brass	AK63M 30 10 N	Nickel
		45	35	10	AK635 35 10 L	Brass	AK63M 35 10 N	Nickel
		50	40	10	AK635 40 10 L	Brass	AK63M 40 10 N	Nickel
		60	50	10	AK635 50 10 L	Brass	AK63M 50 10 N	Nickel
		70	60	10	AK635 60 10 L	Brass	AK63M 60 10 N	Nickel
		80	70	10	AK635 70 10 L	Brass	AK63M 70 10 N	Nickel
		90	80	10	AK635 80 10 L	Brass	AK63M 80 10 N	Nickel
		100	90	10	AK635 90 10 L	Brass	AK63M 90 10 N	Nickel
Knob european.		L	A	B	Cam = 15 mm	Finish	Cam = 13,2 mm	Finish
		60	30	30	AK63B 30 30 L	Brass	AK63MB 30 30 N	Nickel
		65	30	35	AK63B 30 35 L	Brass	AK63MB 30 35 N	Nickel
		70	35	35	AK63B 35 35 L	Brass	AK63MB 35 35 N	Nickel
		70	40	30	AK63B 40 30 L	Brass	AK63MB 40 30 N	Nickel
		80	30	50	AK63B 30 50 L	Brass	AK63MB 30 50 N	Nickel
		80	40	40	AK63B 40 40 L	Brass	AK63MB 40 40 N	Nickel
		85	35	50	AK63B 35 50 L	Brass	AK63MB 35 50 N	Nickel
		90	30	60	AK63B 30 60 L	Brass	AK63MB 30 60 N	Nickel
		90	45	45	AK63B 45 45 L	Brass	AK63MB 45 45 N	Nickel

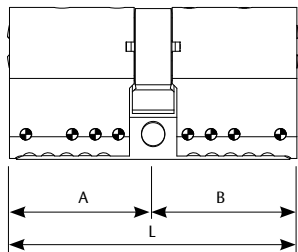
\* To process "master keyed" and "key alike" orders add either AM or KA in each part number, respectively.

D

# High security cylinder TK6

Patented

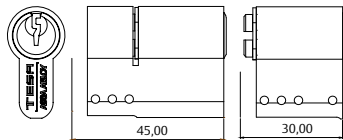
## European profile



These part numbers are for modular cylinders assembled from the factory. Measurements for side A and B will be required when processing an order. The Cam, only if it is different to the standard (15 mm).

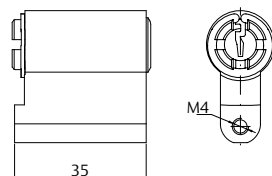
Europeo modular			L	A	B	Leva = 15 mm	Finish	Leva = 15 mm	Finish
			145	--	--	AK635145LMD	Brass	AK635145NMD	Nickel
			150	--	--	AK635150LMD	Brass	AK635150NMD	Nickel
			155	--	--	AK635155LMD	Brass	AK635155NMD	Nickel
			160	--	--	AK635160LMD	Brass	AK635160NMD	Nickel
			165	--	--	AK635165LMD	Brass	AK635165NMD	Nickel
			170	--	--	AK635170LMD	Brass	AK635170NMD	Nickel
			175	--	--	AK635175LMD	Brass	AK635175NMD	Nickel
			180	--	--	AK635180LMD	Brass	AK635180NMD	Nickel
			185	--	--	AK635185LMD	Brass	AK635185NMD	Nickel
			190	--	--	AK635190LMD	Brass	AK635190NMD	Nickel
			195	--	--	AK635195LMD	Brass	AK635195NMD	Nickel
			200	--	--	AK635200LMD	Brass	AK635200NMD	Nickel

### European modular heads (to be used with the modular cases)



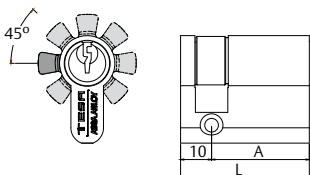
L	A	B	Leva = 15 mm	Finish	Leva = 15 mm	Finish
30	30	--	AK6330LMD	Brass	AK6330NMD	Nickel
45	45	--	AK6345LMD	Brass	AK6345NMD	Nickel
60	30	30	AK6360LMD	Brass	AK6360NMD	Nickel
75	30	45	AK6375LMD	Brass	AK6375NMD	Nickel
90	45	45	AK6390LMD	Brass	AK6390NMD	Nickel

### Padlock exchangeable



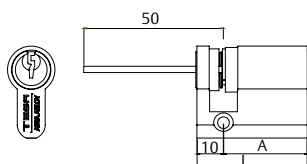
L	A	B	Product code	Finish
-	-	-	AK63CL55L	Brass
-	-	-	AK63CL55N	Nickel

### Adjustable cam. Single profile (8 positions)



L	A	B	Product code	Finish
40	30	10	AK63W3010L	Brass
40	30	10	AK63W3010N	Nickel

### Adjustable tail. Single profile



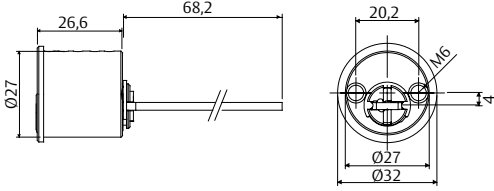
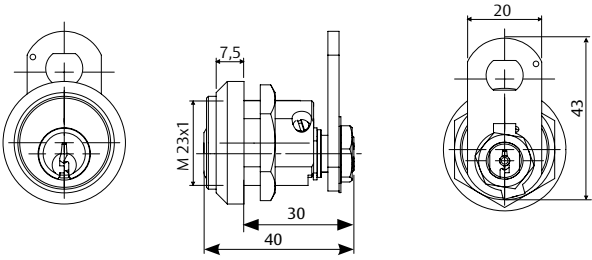
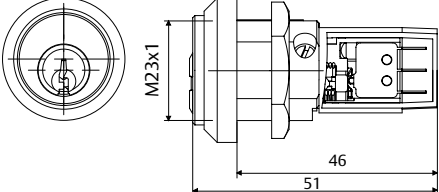
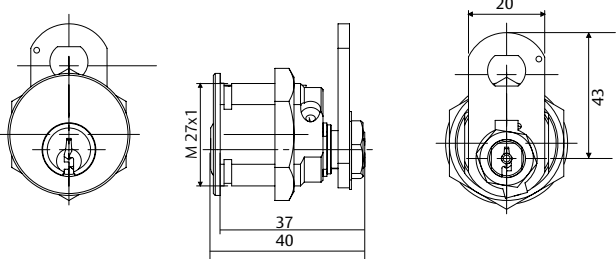
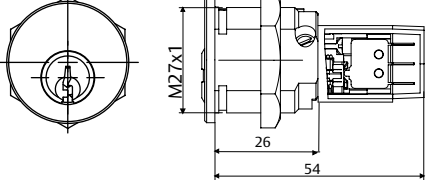
L	A	B	Product code	Finish
40	30	10	AK63R3010L	Brass
40	30	10	AK63R3010N	Nickel
50	40	10	AK63R4010L	Brass
50	40	10	AK63R4010N	Nickel

\* To process "master keyed" and "key alike" orders add either AM or KA in each part number, respectively.

# High security cylinder TK6

## Patented

### Round profiles

Adjustable round cylinder		Ø	Inside length	Outside length	Product code	Finish
	28	-	Adjustable	55AK63LT	Brass	
	28	-	Adjustable	55AK63NM	Nickel	
<hr/>						
682		Metric	Type	Fonction	Product code	Finish
	23	Mechanic	-	AK6682M23NM	Nickel	
	<hr/>					
	23	Electric	1 switch & return	AK6682M23CR	Nickel	
	<hr/>					
	27	Mechanic	-	AK6682M27NM	Nickel	
	<hr/>					
	27	Electric	1 switch & return	AK6682M27CR	Nickel	
	<hr/>					

\* To process "master keyed" and "key alike" orders add either AM or KA in each part number, respectively.

