

Padlocks

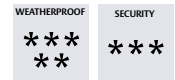
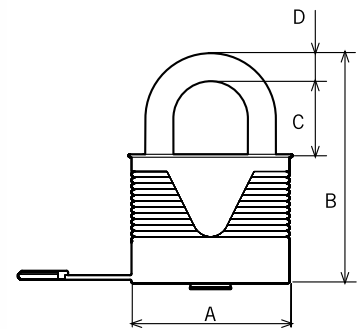


ASSA ABLOY

Hermetic series

- » Hermetic weatherproof padlock.
- » Highly resistant in adverse conditions.
- » Hytrel covering.
- » Stainless steel springs.
- » Double security locking mechanism.
- » Hardened steel shackle.
- » Brass casing

Reference	Colour	A	B	C	D
CHV50R	Red	50	78	29	8



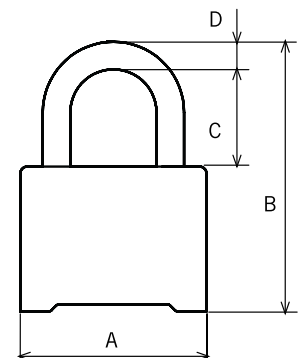
Combination series

- » Programmable padlock.
- » Combination may be changed by the user themselves.
- » Stainless steel springs.
- » Coloured protection cover in CPV28.
- » Double security locking mechanism in CPV50.
- » Chrome brass casing with extraordinary resistance to corrosion.
- » Stainless steel shackle in CPV50.

Reference	Packaging	A	B	C	D
CPV50CR	Visual	55	78	28	8
CPV38LT	Visual	38	85	30	6
CPV28N	Visual	24	58	23	3
CPV28V	Visual	24	58	23	3



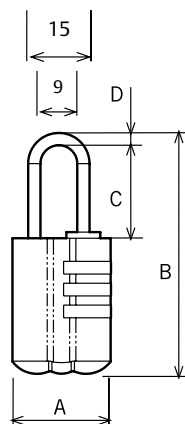
CPV50CR



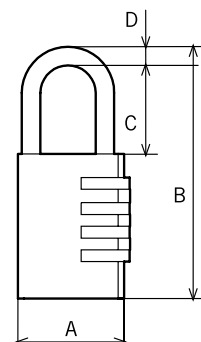
CPV28N



CPV28V



CPV38LT



Pour plus d'informations, visitez www.tesa.es ou envoyer un e-mail à marketing@tesa.es

