

Obermatic door operators



ASSA ABLOY

OBM505

The electromechanical swing door operator OBM505 is suitable for a wide variety of applications, thanks to its comprehensive programming options. The door operator includes a new free swing function: when using the door manually it operates lightly without the motor resistance and the door can be left in the open position when required. Supplied with an external power supply (24 VDC / 3A) OBM505 can be used in fire or emergency exit doors.

Features

- » Precise and easy adjustment by potentiometer of:
 - Power.
 - Opening/closing speed.
 - Hold-Open time.
 - Activation of sequential mode (if desired)
- » Seal force elimination function (closing pull) before opening
- » Door hold closed force and hold-open function
- » Programmable "push and go function" as a standard option
- » Programmable "free swing function" as a standard option
- » Quick and easy installation and commissioning
- » Operation of double door without additional accessories

Technical details

- » Cover dimensions: 85 x 07 x 595 mm, weight 6,5 kg
- » Door weight max 125 kg (link arm, door width 1000 mm)
- » Power supply 90-264 VAC, 47-63 Hz or secondary power supply 24 VDC, 3 A
- » Operation temperature: -15...+50°C
- » Non-handed

Connectivity: All connections are potential free

IN

- » Opening impulse
- » Delayed opening impulse
- » Fire Alarm (Can be chosen NC or NO)
- » Safety sensor impulse
- » Door unlocked (for perfect synchronization with the lock or Panic device).

OUT

- » Lock control relay (NO, C, NC)
- » Voltage output for external impulse devices, safety sensors and locks. 12 VDC, 1 A

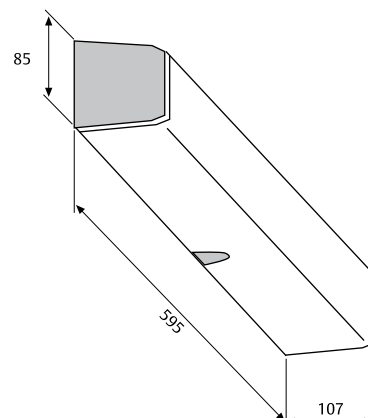
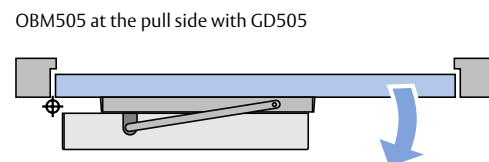
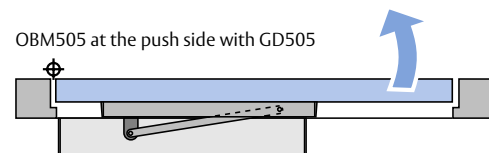
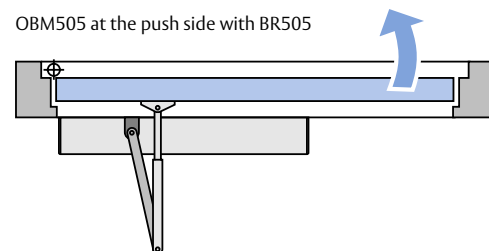
Model	Finish	Description
OBM505	PL	Obermatic Operator OBM505
PLACA505	NE	Mounting plate OBM505 black
BR505BL	White	Regular arm
BR505PL	Silver	Regular arm
GD505BL	White	Sliding guide
GD505PL	Silver	Sliding guide



OBM505 with arm BR505



OBM505 with guide GD505



Pour plus d'informations, visitez www.tesa.es
ou envoyer un e-mail à marketing@tesa.es

Obermatic accesories

Montion sensors

Motion sensors give an opening impulse to Obermatic.

Model	Description
DETECMOVUD	Motion sensor

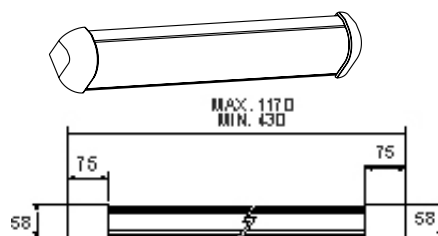


Safety sensor

They send an impulse immediatly to Obermatic to Stop the door movement if an object or person is detected in the parth of the door.

The safety sensors are installed on the top of the door, on one side or both.

Model	Description
SENSEGINT	Indoor safety sensor
SENSEGEXT	Outdoor safety sensor



TM1S - TM1E

Synchronizer

This device has two input signals and two output. The delay and hold time of output signals can be controlled through potentiometers.

Model	Description
OBMSINC	Synchronizer



Obermatic door operators

OBM505

OBM505 is a high-quality, powerful automatic operator for all kinds of doors and locations. It provides the whole of the door's motion with total digital monitoring for both opening and closing, as well as the best connectivity, with direct interaction between several OBM505.

Operation modes

- » AUTO: The door operates by following the programmed values of opening and closing speed, opening angle and waiting time before closing each time it receives an opening impulse.
- » MANUAL: The door ignores the opening impulses, but if necessary it will start a cycle every time somebody starts to open it manually.
- » OPEN: It opens the door and leaves it indefinitely open, until it returns to any of the two previous operation modes.

The specific fire alarm inlet will prevail over any other operation mode at the time, adopting the pre-established operation mode for these cases.

Additional features

- » Extra pressure for overcoming draught excluders at the time of both closing and opening.
- » Simplified start-up via potentiometers.
- » The internal monitoring points may also be adjusted to the user's taste via software and a USB-to-PC connecting cable.

Compatible with

- » Electromechanical locks
- » Electromagnetic locks CEM and TESAMAG series.
- » Motion detectors, pressure on the floor etc, with no more further requirements than a normally open, tension-free contact.
- » TESA access control systems.
- » Antibump security sensors SENSSEGINT and SENSSEGEXT

Technical features

- » Power supply: 90-264 VAC 47/63 Hz; consumption 70 W.
- » Weight: 6.5 Kg.
- » Working temperature: $-15^{\circ} \leftrightarrow 50^{\circ}$
- » Inlets: Opening signal, delayed opening signal, security detector, lock unblocking. Fire alarm (both NA and NC).
- » Outlets: Power supply of detecting devices (24 VDC; 0.5 A - peak 1A), Power supply of detecting devices (12 VDC; 1 A), monitoring relay of the lock.

Product code	Finish	Description
OBM505	PL	Obermatic Operator OBM505
PLACA505	NE	Mounting plate OBM505 black
BR505BL	White	Regular arm
BR505PL	Silver	Regular arm
GD505BL	White	Sliding guide
GD505PL	Silver	Sliding guide

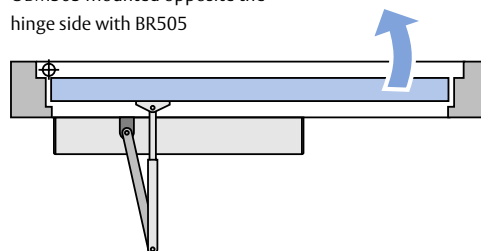


OBM505 with BR505 arm

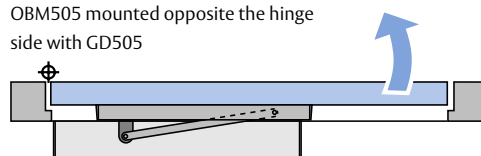


OBM505 with guide GD505

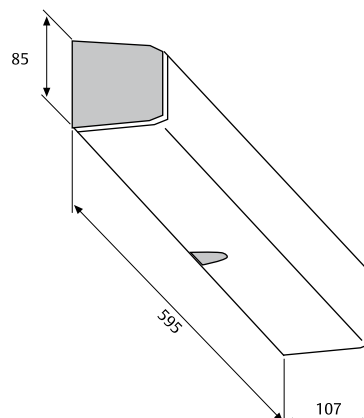
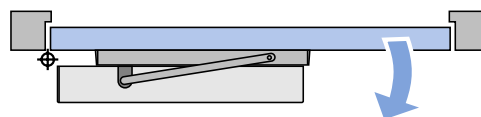
OBM505 mounted opposite the hinge side with BR505



OBM505 mounted opposite the hinge side with GD505



OBM505 mounted on the hinge side with GD505



Obermatic accesories

Motion sensors

Motion sensors give an opening impulse to Obermatic.

Unidirectional: Gives an impulse when detecting movements in one way only (either approaching or moving away).

Bidirectional: gives an impulse when detecting a movement in any direction.

Product code	Description
DETECMOVUD	Motion sensor

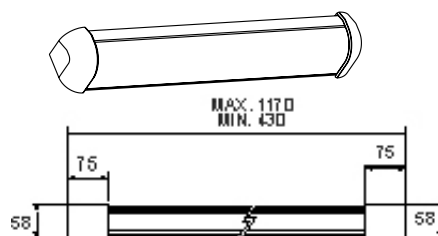


Safety sensor

They send an impulse immediatly to Obermatic to Stop the door movement if an object or person is detected in the parth of the door.

The safety sensors are installed on the top of the door, on one side or both.

Product code	Description
SENSEGINT	Indoor safety sensor
SENSEGEXT	Outdoor safety sensor



TM1S - TM1E

OBERMATIC
on the locking side
can be mounted with arm or guide

OBERMATIC
on the opening side
guide only

