

Panic exit device
GLOBAL RIM MODEL series
1 LATERAL LOCKING POINT – GL1S



ASSA ABLOY

Experience a safer
and more open world

The **Global Rim model panic exit device** is a panic push bar activated by a steel tube that stands out for its **easy installation** and new **aesthetics** based on a new geometric design of straight lines and the combination of different materials on the cover. Its easy **reversibility** and its wide range of **finishes** (including the antimicrobial ones), measurements and accessories make it a versatile panic exit device that can be customised to adapt it to customers' requirements. Its mechanism is optimised to ensure maximum efficiency of the system and obtain **low opening forces**. It is **CE certified** and is **suitable for use on fire doors**. It also holds the **N mark** issued by AENOR, which guarantees both the quality of the product and its high performance.

Technical specifications



- Suitable for use on fire doors
- EN 1125 certification in the following combinations:

3 7 6 B 1 3 2 2 A A

- TYPE A rim panic exit device
- 1 lateral locking point
- 8 mm floating follower rod
 - Makes fitting easier
- Reversible
- Narrow supports
- Can be cut to size
- High performance:
 - Opens smoothly
 - Durability
 - Strength to recover
 - Latch with anti-card device
 - High security resistance due to the latch robustness
- Easy to fit
 - Can be pre-fitted with the mounting plate
 - Wide range of strikes available
- Microswitch and dogging device option
 - Fully effective dogging device due to working on the main mechanism
- Provides a solution for glass doors with outside access device

Anti
MICROBIAL



CE certification

CLASSIFICATION	Grade	Description
1. Category of use	3	High frequency of use
2. Durability	6 – 7	(6) 100,000 – (7) 200,000 cycles
3. Door mass	5 – 6 – 7	(5) ≤100 Kg – (6) ≤200 Kg – (7) >200 Kg
4. Suitable for use on doors	0 – A – B	(0) Not suitable for use on fire/smoke doors – (A) Suitable for use on smoke doors – (B) Suitable for use on fire and smoke doors.
5. Safety of people	1	Only requires the top grade of safety (grade 1). All panic exit devices have a critical safety function as regards the safety of people; therefore, only the top grade is admitted by this standard.
6. Corrosion resistance	3 – 4	(3) ≤96 h – (4) ≤240 h
7. Safety of property	2	Only one grade of safety is required (grade 2)
8. Projection of the horizontal bar	1 – 2	(1) ≤150 mm – (2) ≤100 mm
9. Type of horizontal bar operation	A -B	(A) Push-bar – (B) Touch-bar
10. Field of application	A – B -C	(A) Single doors, double doors: Active or passive leaf – (B) Only doors with one leaf – (C) Doors with two leaves, only the inactive leaf

AENOR certification

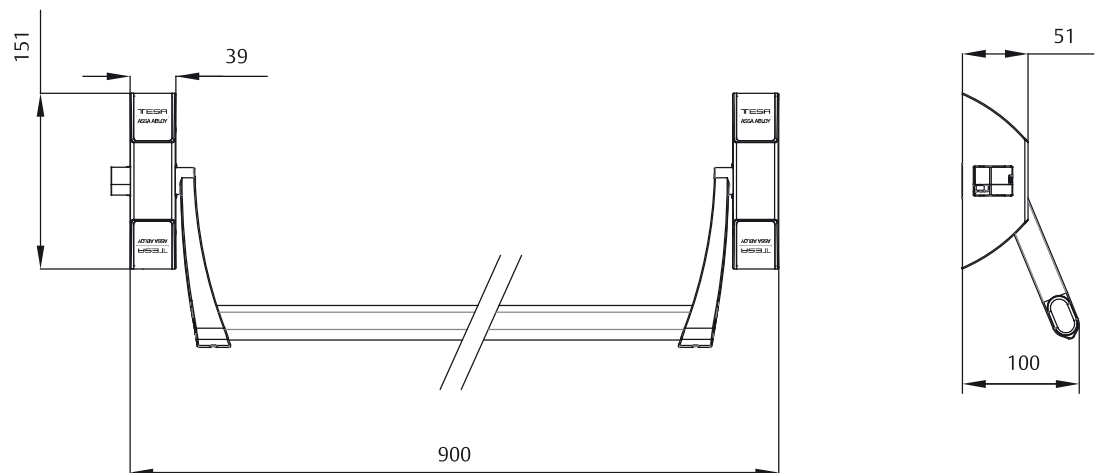
Feature	Limit value established in standard UNE-EN 1125	Additional feature certified by AENOR
2. Durability (cycles)	200.000 (grade 7)	300.000 (category A)
8. Projection of horizontal bar (mm)	up to 100 mm (grade 2)	80 < w ≤ 100 (category A)
Aesthetic resistance to corrosion (hours)	No category established	96 (category A)
Ease of use (N)	Maximum force (80 N) No category established	≤ 40 (category C)

Aesthetics



- Engraved logo on the cover (Figure 1)
- Engraved CE on cover supplement.
- Combination of materials and finishes on the cover.
 - Cover with trim (Figure 2)
 - Tube-arm ends. (Figure 2)
- Optimised tube geometry to take maximum advantage of the pushing force applied on the bar. (Figure 3)

Measurements:



Finishes:

Supports		Tube							
Cover	Trim	Grey	Green	Red	Black	White	Titanium	St. steel	S.S. AM
Grey	Black	•	•	•	•				
White	Black					•			
Titanium	Black						•	•	•
Satin	Black							•	•
St. steel	---							•	•
		Anti MICROBIAL		Anti MICROBIAL		Anti MICROBIAL		Anti MICROBIAL	

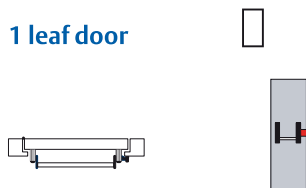
References according to finishes and lengths

Finish	Length (mm)	1 POINT	
GREY - GREY	900	GL1S908GG	
GREY - BLACK		GL1S908GN	
SATIN - STAINLESS STEEL		GL1S908SI	
WHITE - WHITE		GL1S908BB	
TITANIUM - STAINLESS STEEL		GL1S908TI	
SATIN - BLACK		GL1S908SN	
ST. STEEL - ST. STEEL		GL1S908II	
TITANIUM - TITANIUM		GL1S908TT	
GREY - RED		GL1S908GR	
GREY - GREEN		GL1S908GV	
ST. STEEL - ANTIMICROBIAL		GL1S908IIB	
GREY - GREY		1200	GL1S208GG
GREY - BLACK			GL1S208GN
SATIN - STAINLESS STEEL			GL1S208SI
WHITE - WHITE	GL1S208BB		
TITANIUM - STAINLESS STEEL	GL1S208TI		
SATIN - BLACK	GL1S208SN		
ST. STEEL - ST. STEEL	GL1S208II		
TITANIUM - TITANIUM	GL1S208TT		
GREY - RED	GL1S208GR		
GREY - GREEN	GL1S208GV		
ST. STEEL - ANTIMICROBIAL	GL1S208IIB		

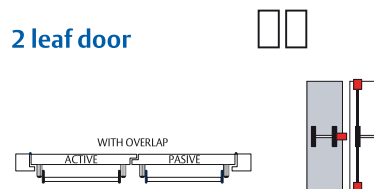
Available in 2 sizes: 900 mm and 1200 mm

Configuration on door

1 leaf door



2 leaf door

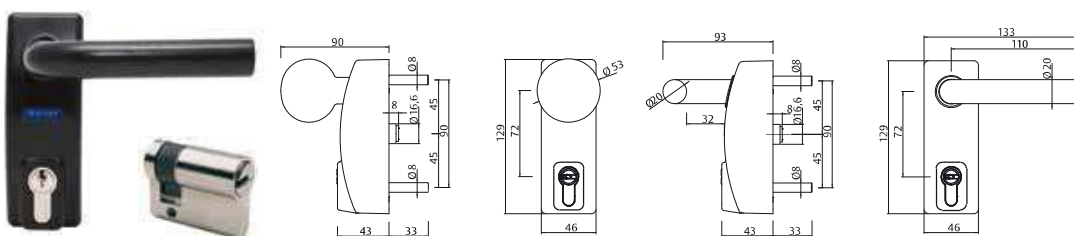


Rim series outside access device

With a cylinder

MMOD Modular Handle

- Activated with a handle or as a turning knob.
- 8 mm follower.
- 45-mm M5 fixing bolts that ensure robust coupling between the panic exit device and outside access device.
- Includes the option to enable the captive key function.

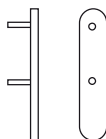


Outside device	Cylinder	Product code
Modular lever handle black RAL 9005	-	MMODMPSCNE
Modular lever handle silver RAL 9006	-	MMODMPSCGR
Modular lever handle nickel plated	-	MMODMPSSAT
Modular lever handle with euro-profile black RAL 9005	TE-5	MMODMBT5NE
Modular lever handle with euro-profile silver RAL 9006	TE-5	MMODMBT5GR
Modular lever handle with euro-profile nickel plated	TE-5	MMODMBTSAT
Modular lever handle with euro-profile black RAL 9005	-	MMODMBSCNE
Modular lever handle with euro-profile silver RAL 9006	-	MMODMBSCGR
Modular lever handle with euro-profile nickel plated	-	MMODMBSSAT
Modular swing pull knob with euro-profile black RAL 9005	TE-5	MMODPBT5NE
Modular swing pull knob with euro-profile silver RAL 9006	TE-5	MMODPBT5GR
Modular swing pull knob with euro-profile nickel plated	TE-5	MMODPBT5AT
Modular swing pull knob with euro-profile black RAL 9005	-	MMODPBSCNE
Modular swing pull knob with euro-profile silver RAL 9006	-	MMODPBSCGR
Modular swing pull knob with euro-profile nickel plated	-	MMODPBSSAT

Without a cylinder

Blind backplate

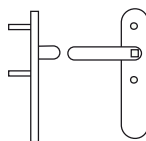
- 45-mm M5 fixing bolts that ensure robust coupling between the panic exit device and outside access device.



Activation type	Product code
Blind plate, black RAL 9005	E1910EXNE
Inox blind plate	E1910EXIS16

Passage door handle (unkeyed)

- 45-mm M5 fixing bolts that ensure robust coupling between the panic exit device and outside access device.



Activation type	Product code
Blind handle, black RAL 9005	S1913EXNE
Inox blind handle	S1913EXIS16

Packaging

The packaging includes:

- 1 main support, including mechanism, cover and arm
- 1 auxiliary support, including mechanism, cover and arm
- 1 horizontal tube
- Bag of accessories with mounting plate, mounting screws, caps for arms and strikes
- Assembly instruction sheet
- Installation template

Panic exit device
GLOBAL RIM MODEL series
2 VERTICAL POINTS – GL2S

TESA

ASSA ABLOY

Experience a safer
and more open world

The **Global Rim model panic exit device** is a panic push bar activated by a steel tube that stands out for its **easy installation** and new **aesthetics** based on a new geometric design of straight lines and the combination of different materials on the cover. Its easy **reversibility** and its wide range of **finishes** (including the antimicrobial ones), measurements and accessories make it a versatile panic exit device that can be customised to adapt it to customers' requirements. Its mechanism is optimised to ensure maximum efficiency of the system and obtain **low opening forces**. It is **CE certified** and is **suitable for use on fire doors**. It also holds the **N mark** issued by AENOR, which guarantees both the quality of the product and its high performance.



Anti
MICROBIAL



Technical specifications

- TYPE A rim panic exit device
- 2 vertical locking points (top and bottom)
- 8 mm floating follower rod
 - Makes fitting easier.
- Reversible
- Narrow supports
- Can be cut to size
- High performance:
 - Opens smoothly
 - Durability
 - Strength to recover
 - Latch with anti-card device
 - High security resistance due to the latch robustness
- Easy to fit
 - Can be pre-fitted with the mounting plate
 - Wide range of strikes available
- Microswitch and dogging device option
 - Fully effective dogging device due to working on the main mechanism
- Provides a solution for glass doors with outside access device
- Suitable for use on fire doors
- EN 1125 certification in the following combinations:

3 7 6 B 1 3 2 2 A A

CE certification

CLASSIFICATION	Grade	Description
1. Category of use	3	High frequency of use
2. Durability	6 – 7	(6) 100,000 – (7) 200,000 cycles
3. Door mass	5 – 6 – 7	(5) ≤100 Kg – (6) ≤200 Kg – (7) >200 Kg
4. Suitable for use on doors	0 – A – B	(0) Not suitable for use on fire/smoke doors – (A) Suitable for use on smoke doors – (B) Suitable for use on fire and smoke doors.
5. Safety of people	1	Only requires the top grade of safety (grade 1). All panic exit devices have a critical safety function as regards the safety of people; therefore, only the top grade is admitted by this standard.
6. Corrosion resistance	3 – 4	(3) ≤96 h – (4) ≤240 h
7. Safety of property	2	Only one grade of safety is required (grade 2)
8. Projection of the horizontal bar	1 – 2	(1) ≤150 mm – (2) ≤100 mm
9. Type of horizontal bar operation	A -B	(A) Push-bar – (B) Touch-bar
10. Field of application	A – B -C	(A) Single doors, double doors: Active or passive leaf – (B) Only doors with one leaf – (C) Doors with two leaves, only the inactive leaf

AENOR certification

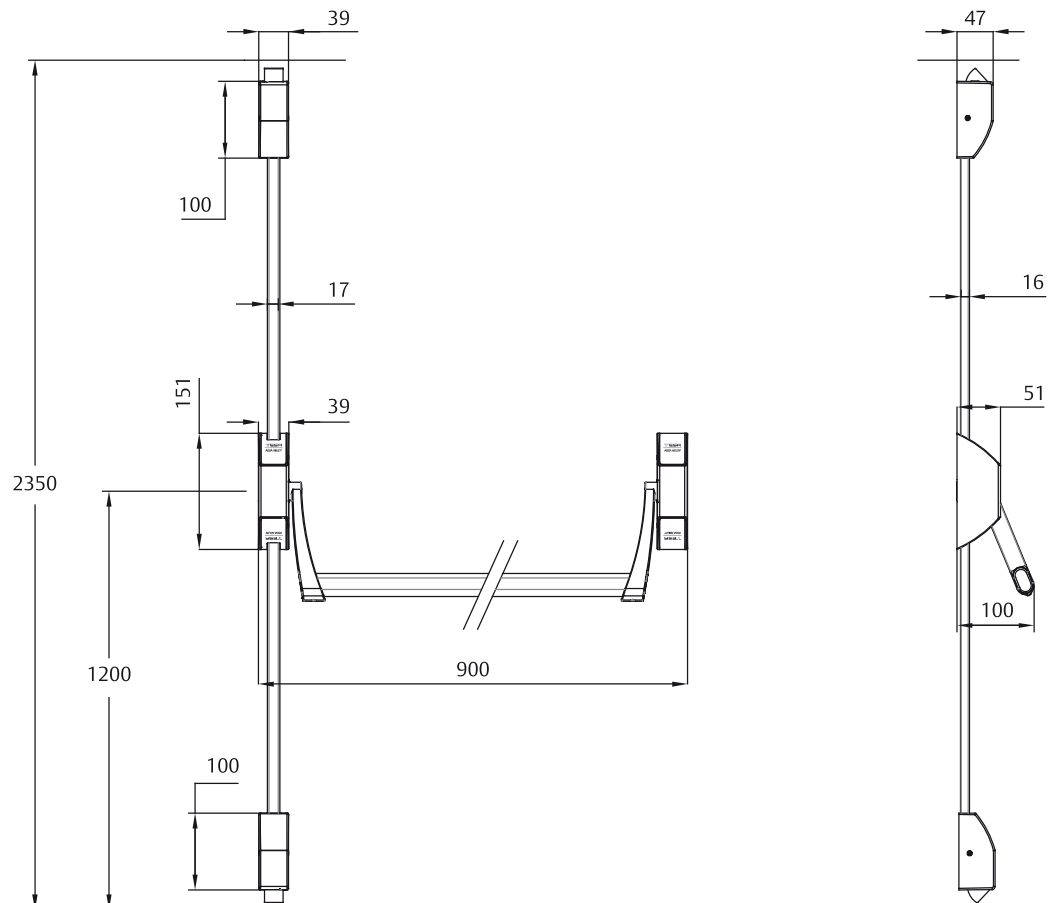
Feature	Limit value established in standard UNE-EN 1125	Additional feature certified by AENOR
2. Durability (cycles)	200.000 (grade 7)	300.000 (category A)
8. Projection of horizontal bar (mm)	up to 100 mm (grade 2)	80 < w ≤ 100 (category A)
Aesthetic resistance to corrosion (hours)	No category established	96 (category A)
Ease of use (N)	Maximum force (80 N) No category established	≤ 40 (category C)

Aesthetics



- Engraved logo on the cover (Figure 1)
- Engraved CE on cover supplement.
- Combination of materials and finishes on the cover.
 - Cover with trim (Figure 2)
 - Tube-arm ends. (Figure 2)
- Optimised tube geometry to take maximum advantage of the pushing force applied on the bar. (Figure 3)

Measurements:



Finishes:

Supports		Tube							
Cover	Trim	Grey	Green	Red	Black	White	Titanium	St. steel	S.S. AM
Grey	Black	•	•	•	•				
White	Black					•			
Titanium	Black						•	•	•
Satin	Black							•	•
St. steel	---							•	•

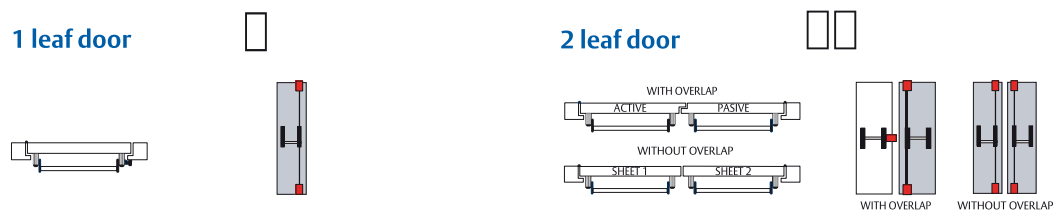
Anti MICROBIAL
Anti MICROBIAL
Anti MICROBIAL
Anti MICROBIAL

References according to finishes and lengths

Finish	Length (mm)	2 POINTS A/B
GREY - GREY	900	GL2S908GG
GREY - BLACK		GL2S908GN
SATIN - STAINLESS STEEL		GL2S908SI
WHITE - WHITE		GL2S908BB
TITANIUM - STAINLESS STEEL		GL2S908TI
SATIN - BLACK		GL2S908SN
ST. STEEL - ST. STEEL		GL2S908II
TITANIUM - TITANIUM		GL2S908TT
GREY - RED		GL2S908GR
GREY - GREEN		GL2S908GV
ST. STEEL - ANTIMICROBIAL	GL2S908IIB	
GREY - GREY	1200	GL2S208GG
GREY - BLACK		GL2S208GN
SATIN - STAINLESS STEEL		GL2S208SI
WHITE - WHITE		GL2S208BB
TITANIUM - STAINLESS STEEL		GL2S208TI
SATIN - BLACK		GL2S208SN
ST. STEEL - ST. STEEL		GL2S208II
TITANIUM - TITANIUM		GL2S208TT
GREY - RED		GL2S208GR
GREY - GREEN		GL2S208GV
ST. STEEL - ANTIMICROBIAL	GL2S208IIB	

Available in 2 sizes: 900 mm and 1200 mm

Configuration on door

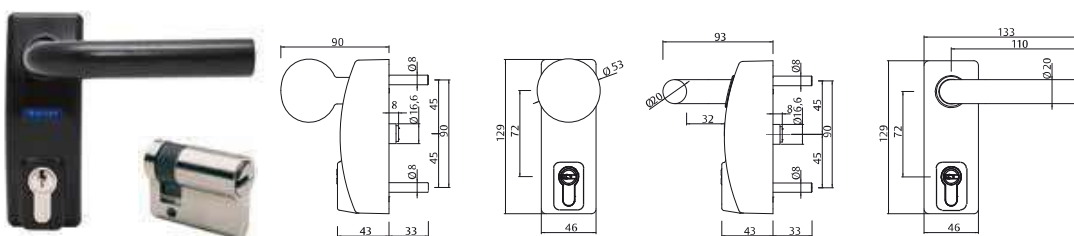


Rim series outside access device

With a cylinder

MMOD Modular Handle

- Activated with a handle or as a turning knob.
- 8 mm follower.
- 45-mm M5 fixing bolts that ensure robust coupling between the panic exit device and outside access device.
- Includes the option to enable the captive key function.

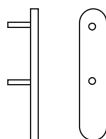


Outside device	Cylinder	Product code
Modular lever handle black RAL 9005	-	MMODMPSCNE
Modular lever handle silver RAL 9006	-	MMODMPSCGR
Modular lever handle nickel plated	-	MMODMPSSAT
Modular lever handle with euro-profile black RAL 9005	TE-5	MMODMBT5NE
Modular lever handle with euro-profile silver RAL 9006	TE-5	MMODMBT5GR
Modular lever handle with euro-profile nickel plated	TE-5	MMODMBTSAT
Modular lever handle with euro-profile black RAL 9005	-	MMODMBSCNE
Modular lever handle with euro-profile silver RAL 9006	-	MMODMBSCGR
Modular lever handle with euro-profile nickel plated	-	MMODMBSSAT
Modular swing pull knob with euro-profile black RAL 9005	TE-5	MMODPBT5NE
Modular swing pull knob with euro-profile silver RAL 9006	TE-5	MMODPBT5GR
Modular swing pull knob with euro-profile nickel plated	TE-5	MMODPBT5AT
Modular swing pull knob with euro-profile black RAL 9005	-	MMODPBSCNE
Modular swing pull knob with euro-profile silver RAL 9006	-	MMODPBSCGR
Modular swing pull knob with euro-profile nickel plated	-	MMODPBSSAT

Without a cylinder

Blind backplate

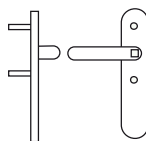
- 45-mm M5 fixing bolts that ensure robust coupling between the panic exit device and outside access device.



Activation type	Product code
Blind plate, black RAL 9005	E1910EXNE
Inox blind plate	E1910EXIS16

Passage door handle (unkeyed)

- 45-mm M5 fixing bolts that ensure robust coupling between the panic exit device and outside access device.



Activation type	Product code
Blind handle, black RAL 9005	S1913EXNE
Inox blind handle	S1913EXIS16

Packaging

The packaging includes:

- 1 main support, including mechanism, cover and arm
- 1 auxiliary support, including mechanism, cover and arm
- 2 top/bottom locking points, including mechanisms and covers
- 1 horizontal tube
- 2 rods
- Bag of accessories with mounting plate, mounting screws, rod guide, caps for arms and strikes
- Assembly instruction sheet
- Installation template

Panic exit device
GLOBAL RIM MODEL series
2 VERTICAL LOCKING POINTS WITH BOLTS – GL20



ASSA ABLOY

Experience a safer
and more open world

The **Global Rim model panic exit device** is a panic push bar activated by a steel tube that stands out for its **easy installation** and new **aesthetics** based on a new geometric design of straight lines and the combination of different materials on the cover. Its easy **reversibility** and its wide range of **finishes** (including the antimicrobial ones), measurements and accessories make it a versatile panic exit device that can be customised to adapt it to customers' requirements. Its mechanism is optimised to ensure maximum efficiency of the system and obtain **low opening forces**. It is **CE certified** and is **suitable for use on fire doors**. It also holds the **N mark** issued by AENOR, which guarantees both the quality of the product and its high performance.



Anti
MICROBIAL



Technical specifications

- TYPE A rim panic exit device
- 2 vertical locking points (top and bottom) with bolts
- 8 mm floating follower rod
- Makes fitting easier.
- Reversible
- Narrow supports
- Can be cut to size
- High performance:
 - Opens smoothly
 - Durability
 - Strength to recover
 - Latch with anti-card device
 - High security resistance due to the latch robustness
- Easy to fit
 - Can be pre-fitted with the mounting plate
 - Wide range of strikes available
- Microswitch device option
- Provides a solution for glass doors with outside access device
- Suitable for use on fire doors
- EN 1125 certification in the following combinations:

3 7 6 B 1 3 2 2 A A

CE certification

CLASSIFICATION	Grade	Description
1. Category of use	3	High frequency of use
2. Durability	6 – 7	(6) 100,000 – (7) 200,000 cycles
3. Door mass	5 – 6 – 7	(5) ≤100 Kg – (6) ≤200 Kg – (7) >200 Kg
4. Suitable for use on doors	0 – A – B	(0) Not suitable for use on fire/smoke doors – (A) Suitable for use on smoke doors – (B) Suitable for use on fire and smoke doors.
5. Safety of people	1	Only requires the top grade of safety (grade 1). All panic exit devices have a critical safety function as regards the safety of people; therefore, only the top grade is admitted by this standard.
6. Corrosion resistance	3 – 4	(3) ≤96 h – (4) ≤240 h
7. Safety of property	2	Only one grade of safety is required (grade 2)
8. Projection of the horizontal bar	1 – 2	(1) ≤150 mm – (2) ≤100 mm
9. Type of horizontal bar operation	A -B	(A) Push-bar – (B) Touch-bar
10. Field of application	A – B -C	(A) Single doors, double doors: Active or passive leaf – (B) Only doors with one leaf – (C) Doors with two leaves, only the inactive leaf

AENOR certification

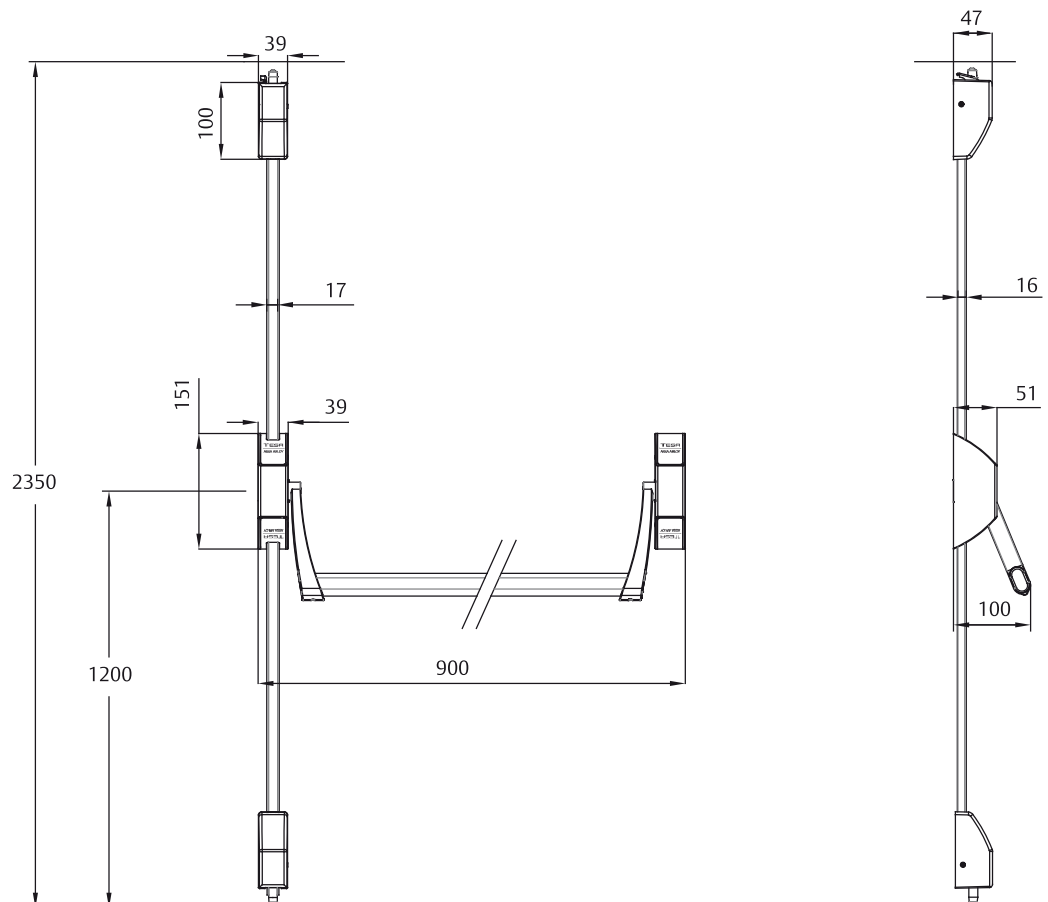
Feature	Limit value established in standard UNE-EN 1125	Additional feature certified by AENOR
2. Durability (cycles)	200.000 (grade 7)	300.000 (category A)
8. Projection of horizontal bar (mm)	up to 100 mm (grade 2)	80 < w ≤ 100 (category A)
Aesthetic resistance to corrosion (hours)	No category established	96 (category A)
Ease of use (N)	Maximum force (80 N) No category established	≤ 40 (category C)

Aesthetics



- Engraved logo on the cover (Figure 1)
- Engraved CE on cover supplement.
- Combination of materials and finishes on the cover.
 - Cover with trim (Figure 2)
 - Tube-arm ends. (Figure 2)
- Optimised tube geometry to take maximum advantage of the pushing force applied on the bar. (Figure 3)

Measurements:



Finishes:

Supports		Tube							
Cover	Trim	Grey	Green	Red	Black	White	Titanium	St. steel	S.S. AM
Grey	Black	•	•	•	•				
White	Black					•			
Titanium	Black						•	•	•
Satin	Black							•	•
St. steel	---							•	•

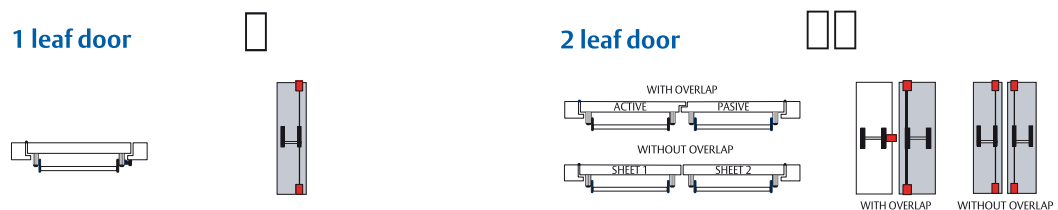
Anti
MICROBIAL
Anti
MICROBIAL
Anti
MICROBIAL
Anti
MICROBIAL

References according to finishes and lengths

Finish	Length (mm)	2 POINTS A/B
GREY - GREY	900	GL20908GG
GREY - BLACK		GL20908GN
SATIN - STAINLESS STEEL		GL20908SI
WHITE - WHITE		GL20908BB
TITANIUM - STAINLESS STEEL		GL20908TI
SATIN - BLACK		GL20908SN
ST. STEEL - ST. STEEL		GL20908II
TITANIUM - TITANIUM		GL20908TT
GREY - RED		GL20908GR
GREY - GREEN		GL20908GV
ST. STEEL - ANTIMICROBIAL		GL20908IIB
GREY - GREY	1200	GL20208GG
GREY - BLACK		GL20208GN
SATIN - STAINLESS STEEL		GL20208SI
WHITE - WHITE		GL20208BB
TITANIUM - STAINLESS STEEL		GL20208TI
SATIN - BLACK		GL20208SN
ST. STEEL - ST. STEEL		GL20208II
TITANIUM - TITANIUM		GL20208TT
GREY - RED		GL20208GR
GREY - GREEN		GL20208GV
ST. STEEL - ANTIMICROBIAL		GL20208IIB

Available in 2 sizes: 900 mm and 1200 mm

Configuration on door

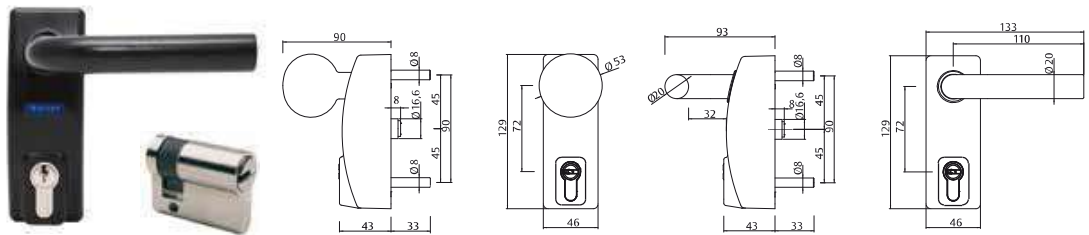


Rim series outside access device

With a cylinder

MMOD Modular Handle

- Activated with a handle or as a turning knob.
- 8 mm follower.
- 45-mm M5 fixing bolts that ensure robust coupling between the panic exit device and outside access device.
- Includes the option to enable the captive key function.

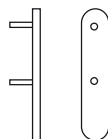


Outside device	Cylinder	Product code
Modular lever handle black RAL 9005	-	MMODMPSCNE
Modular lever handle silver RAL 9006	-	MMODMPSCGR
Modular lever handle nickel plated	-	MMODMPSSAT
Modular lever handle with euro-profile black RAL 9005	TE-5	MMODMBT5NE
Modular lever handle with euro-profile silver RAL 9006	TE-5	MMODMBT5GR
Modular lever handle with euro-profile nickel plated	TE-5	MMODMBTSAT
Modular lever handle with euro-profile black RAL 9005	-	MMODMBSCNE
Modular lever handle with euro-profile silver RAL 9006	-	MMODMBSCGR
Modular lever handle with euro-profile nickel plated	-	MMODMBSSAT
Modular swing pull knob with euro-profile black RAL 9005	TE-5	MMODPBT5NE
Modular swing pull knob with euro-profile silver RAL 9006	TE-5	MMODPBT5GR
Modular swing pull knob with euro-profile nickel plated	TE-5	MMODPBT5AT
Modular swing pull knob with euro-profile black RAL 9005	-	MMODPBSCNE
Modular swing pull knob with euro-profile silver RAL 9006	-	MMODPBSCGR
Modular swing pull knob with euro-profile nickel plated	-	MMODPBSSAT

Without a cylinder

Blind backplate

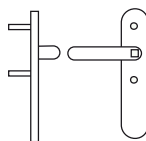
- 45-mm M5 fixing bolts that ensure robust coupling between the panic exit device and outside access device.



Activation type	Product code
Blind plate, black RAL 9005	E1910EXNE
Inox blind plate	E1910EXIS16

Passage door handle (unkeyed)

- 45-mm M5 fixing bolts that ensure robust coupling between the panic exit device and outside access device.



Activation type	Product code
Blind handle, black RAL 9005	S1913EXNE
Inox blind handle	S1913EXIS16

Packaging

The packaging includes:

- 1 main support, including mechanism, cover and arm
- 1 auxiliary support, including mechanism, cover and arm
- 2 top/bottom bolted locking points, including mechanisms and covers
- 1 horizontal tube
- 2 rods
- Bag of accessories with mounting plate, mounting screws, rod guide, caps for arms and strikes
- Assembly instruction sheet
- Installation template

Panic exit device
GLOBAL RIM MODEL series
3 VERTICAL POINTS – GL3S

TESA

ASSA ABLOY

Experience a safer
and more open world

The **Global Rim model panic exit device** is a panic push bar activated by a steel tube that stands out for its **easy installation** and new **aesthetics** based on a new geometric design of straight lines and the combination of different materials on the cover. Its easy **reversibility** and its wide range of **finishes** (including the antimicrobial ones), measurements and accessories make it a versatile panic exit device that can be customised to adapt it to customers' requirements. Its mechanism is optimised to ensure maximum efficiency of the system and obtain **low opening forces**. It is **CE certified** and is **suitable for use on fire doors**. It also holds the **N mark** issued by AENOR, which guarantees both the quality of the product and its high performance.



Anti
MICROBIAL



Technical specifications

- TYPE A rim panic exit device
- 3 locking points: central with anti-card device and vertical locking points (top and bottom)
- 8 mm floating follower rod
 - Makes fitting easier.
- Reversible
- Narrow supports
- Can be cut to size
- High performance:
 - Opens smoothly
 - Durability
 - Strength to recover
 - Latch with anti-card device
 - High security resistance due to the latch robustness
- Easy to fit
 - Can be pre-fitted with the mounting plate
 - Wide range of strikes available
- Microswitch and dogging device option
 - Fully effective dogging device due to working on the main mechanism
- Provides a solution for glass doors with outside access device
- Suitable for use on fire doors
- EN 1125 certification in the following combinations:

3 7 6 B 1 3 2 2 A A

CE certification

CLASSIFICATION	Grade	Description
1. Category of use	3	High frequency of use
2. Durability	6 – 7	(6) 100,000 – (7) 200,000 cycles
3. Door mass	5 – 6 – 7	(5) ≤100 Kg – (6) ≤200 Kg – (7) >200 Kg
4. Suitable for use on doors	0 – A – B	(0) Not suitable for use on fire/smoke doors – (A) Suitable for use on smoke doors – (B) Suitable for use on fire and smoke doors.
5. Safety of people	1	Only requires the top grade of safety (grade 1). All panic exit devices have a critical safety function as regards the safety of people; therefore, only the top grade is admitted by this standard.
6. Corrosion resistance	3 – 4	(3) ≤96 h – (4) ≤240 h
7. Safety of property	2	Only one grade of safety is required (grade 2)
8. Projection of the horizontal bar	1 – 2	(1) ≤150 mm – (2) ≤100 mm
9. Type of horizontal bar operation	A -B	(A) Push-bar – (B) Touch-bar
10. Field of application	A – B -C	(A) Single doors, double doors: Active or passive leaf – (B) Only doors with one leaf – (C) Doors with two leaves, only the inactive leaf

AENOR certification

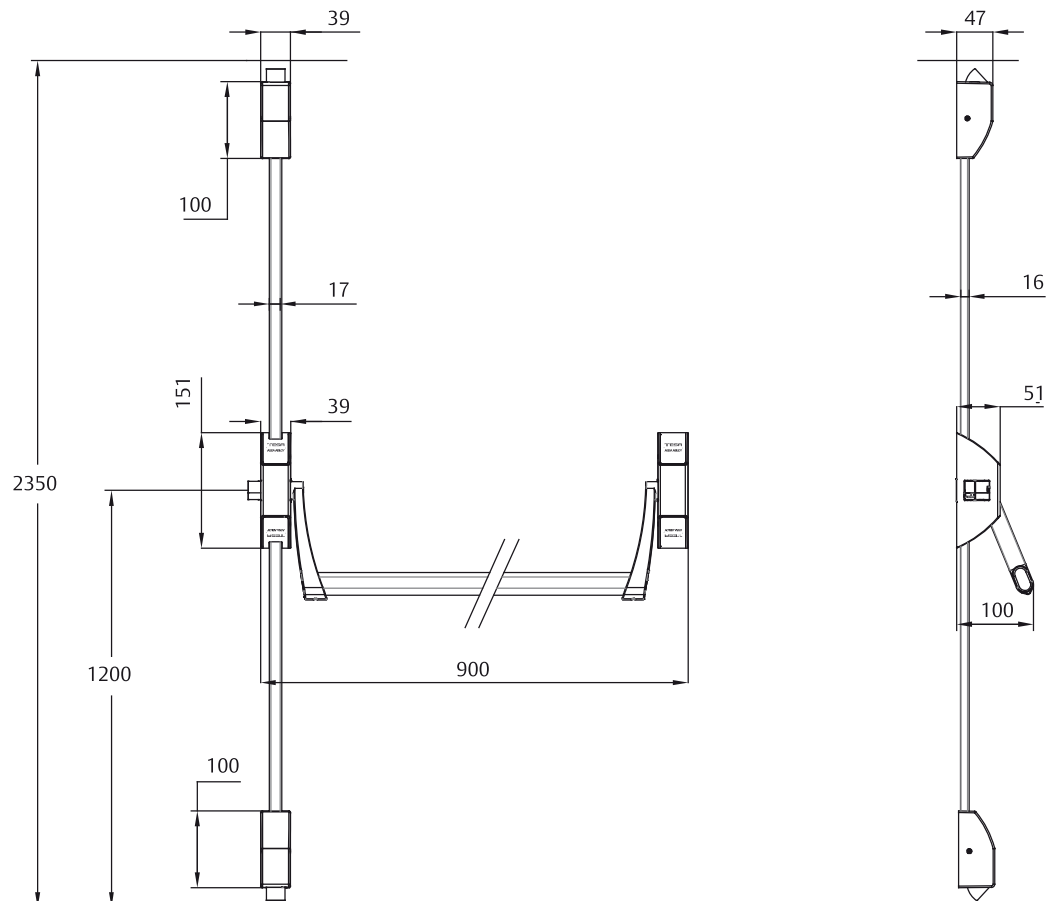
Feature	Limit value established in standard UNE-EN 1125	Additional feature certified by AENOR
2. Durability (cycles)	200.000 (grade 7)	300.000 (category A)
8. Projection of horizontal bar (mm)	up to 100 mm (grade 2)	80 < w ≤ 100 (category A)
Aesthetic resistance to corrosion (hours)	No category established	96 (category A)
Ease of use (N)	Maximum force (80 N) No category established	≤ 40 (category C)

Aesthetics



- Engraved logo on the cover (Figure 1)
- Engraved CE on cover supplement.
- Combination of materials and finishes on the cover.
 - Cover with trim (Figure 2)
 - Tube-arm ends. (Figure 2)
- Optimised tube geometry to take maximum advantage of the pushing force applied on the bar. (Figure 3)

Measurements:



Finishes:

Supports		Tube							
Cover	Trim	Grey	Green	Red	Black	White	Titanium	St. steel	S.S. AM
Grey	Black	•	•	•	•				
White	Black					•			
Titanium	Black						•	•	•
Satin	Black							•	•
St. steel	---							•	•

Anti
MICROBIAL
Anti
MICROBIAL
Anti
MICROBIAL
Anti
MICROBIAL

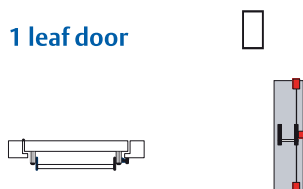
References according to finishes and lengths

Finish	Length (mm)	3 POINTS A/B VERT
GREY - GREY	900	GL3S908GG
GREY - BLACK		GL3S908GN
SATIN - STAINLESS STEEL		GL3S908SI
WHITE - WHITE		GL3S908BB
TITANIUM - STAINLESS STEEL		GL3S908TI
SATIN - BLACK		GL3S908SN
ST. STEEL - ST. STEEL		GL3S908II
TITANIUM - TITANIUM		GL3S908TT
GREY - RED		GL3S908GR
GREY - GREEN		GL3S908GV
ST. STEEL - ANTIMICROBIAL	GL3S908IIB	
GREY - GREY	1200	GL3S208GG
GREY - BLACK		GL3S208GN
SATIN - STAINLESS STEEL		GL3S208SI
WHITE - WHITE		GL3S208BB
TITANIUM - STAINLESS STEEL		GL3S208TI
SATIN - BLACK		GL3S208SN
ST. STEEL - ST. STEEL		GL3S208II
TITANIUM - TITANIUM		GL3S208TT
GREY - RED		GL3S208GR
GREY - GREEN		GL3S208GV
ST. STEEL - ANTIMICROBIAL	GL3S208IIB	

Available in 2 sizes: 900 mm and 1200 mm

Configuration on door

1 leaf door

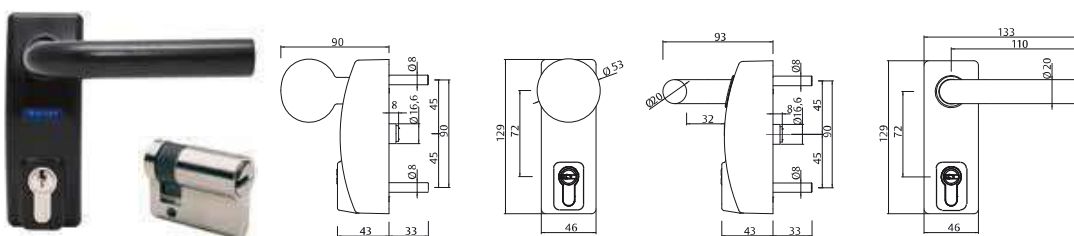


Rim series outside access device

With a cylinder

MMOD Modular Handle

- Activated with a handle or as a turning knob.
- 8 mm follower.
- 45-mm M5 fixing bolts that ensure robust coupling between the panic exit device and outside access device.
- Includes the option to enable the captive key function.

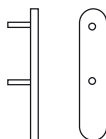


Outside device	Cylinder	Product code
Modular lever handle black RAL 9005	-	MMODMPSCNE
Modular lever handle silver RAL 9006	-	MMODMPSCGR
Modular lever handle nickel plated	-	MMODMPSSAT
Modular lever handle with euro-profile black RAL 9005	TE-5	MMODMBT5NE
Modular lever handle with euro-profile silver RAL 9006	TE-5	MMODMBT5GR
Modular lever handle with euro-profile nickel plated	TE-5	MMODMBTSAT
Modular lever handle with euro-profile black RAL 9005	-	MMODMBSCNE
Modular lever handle with euro-profile silver RAL 9006	-	MMODMBSCGR
Modular lever handle with euro-profile nickel plated	-	MMODMBSSAT
Modular swing pull knob with euro-profile black RAL 9005	TE-5	MMODPBT5NE
Modular swing pull knob with euro-profile silver RAL 9006	TE-5	MMODPBT5GR
Modular swing pull knob with euro-profile nickel plated	TE-5	MMODPBT5AT
Modular swing pull knob with euro-profile black RAL 9005	-	MMODPBSCNE
Modular swing pull knob with euro-profile silver RAL 9006	-	MMODPBSCGR
Modular swing pull knob with euro-profile nickel plated	-	MMODPBSSAT

Without a cylinder

Blind backplate

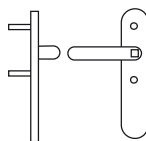
- 45-mm M5 fixing bolts that ensure robust coupling between the panic exit device and outside access device.



Activation type	Product code
Blind plate, black RAL 9005	E1910EXNE
Inox blind plate	E1910EXIS16

Passage door handle (unkeyed)

- 45-mm M5 fixing bolts that ensure robust coupling between the panic exit device and outside access device.



Activation type	Product code
Blind handle, black RAL 9005	S1913EXNE
Inox blind handle	S1913EXIS16

Packaging

The packaging includes:

- 1 main support, including mechanism, cover and arm
- 1 auxiliary support, including mechanism, cover and arm
- 2 top/bottom locking points, including mechanisms and covers
- 1 horizontal tube
- 2 rods
- Bag of accessories with mounting plate, mounting screws, rod guide, caps for arms and strikes
- Assembly instruction sheet
- Installation template

Panic exit device
GLOBAL RIM MODEL series
3 LATERAL POINTS – GL3L

TESA

ASSA ABLOY

Experience a safer
and more open world

The **Global Rim model panic exit device** is a panic push bar activated by a steel tube that stands out for its **easy installation** and new **aesthetics** based on a new geometric design of straight lines and the combination of different materials on the cover. Its easy **reversibility** and its wide range of **finishes** (including the antimicrobial ones), measurements and accessories make it a versatile panic exit device that can be customised to adapt it to customers' requirements. Its mechanism is optimised to ensure maximum efficiency of the system and obtain **low opening forces**. It is **CE certified** and is **suitable for use on fire doors**. It also holds the **N mark** issued by AENOR, which guarantees both the quality of the product and its high performance.



Anti
MICROBIAL



Technical specifications

- TYPE A rim panic exit device
- 3 locking points: central with anti-card device and lateral locking points (top and bottom)
- 8 mm floating follower rod
 - Makes fitting easier.
- Reversible
- Narrow supports
- Can be cut to size
- High performance:
 - Opens smoothly
 - Durability
 - Strength to recover
 - Latch with anti-card device
 - High security resistance due to the latch robustness
- Easy to fit
 - Can be pre-fitted with the mounting plate
 - Wide range of strikes available
- Microswitch and dogging device option
 - Fully effective dogging device due to working on the main mechanism
- Provides a solution for glass doors with outside access device
- Suitable for use on fire doors
- EN 1125 certification in the following combinations:

3 7 6 B 1 3 2 2 A A

CE certification

CLASSIFICATION	Grade	Description
1. Category of use	3	High frequency of use
2. Durability	6 – 7	(6) 100,000 – (7) 200,000 cycles
3. Door mass	5 – 6 – 7	(5) ≤100 Kg – (6) ≤200 Kg – (7) >200 Kg
4. Suitable for use on doors	0 – A – B	(0) Not suitable for use on fire/smoke doors – (A) Suitable for use on smoke doors – (B) Suitable for use on fire and smoke doors.
5. Safety of people	1	Only requires the top grade of safety (grade 1). All panic exit devices have a critical safety function as regards the safety of people; therefore, only the top grade is admitted by this standard.
6. Corrosion resistance	3 – 4	(3) ≤96 h – (4) ≤240 h
7. Safety of property	2	Only one grade of safety is required (grade 2)
8. Projection of the horizontal bar	1 – 2	(1) ≤150 mm – (2) ≤100 mm
9. Type of horizontal bar operation	A -B	(A) Push-bar – (B) Touch-bar
10. Field of application	A – B -C	(A) Single doors, double doors: Active or passive leaf – (B) Only doors with one leaf – (C) Doors with two leaves, only the inactive leaf

AENOR certification

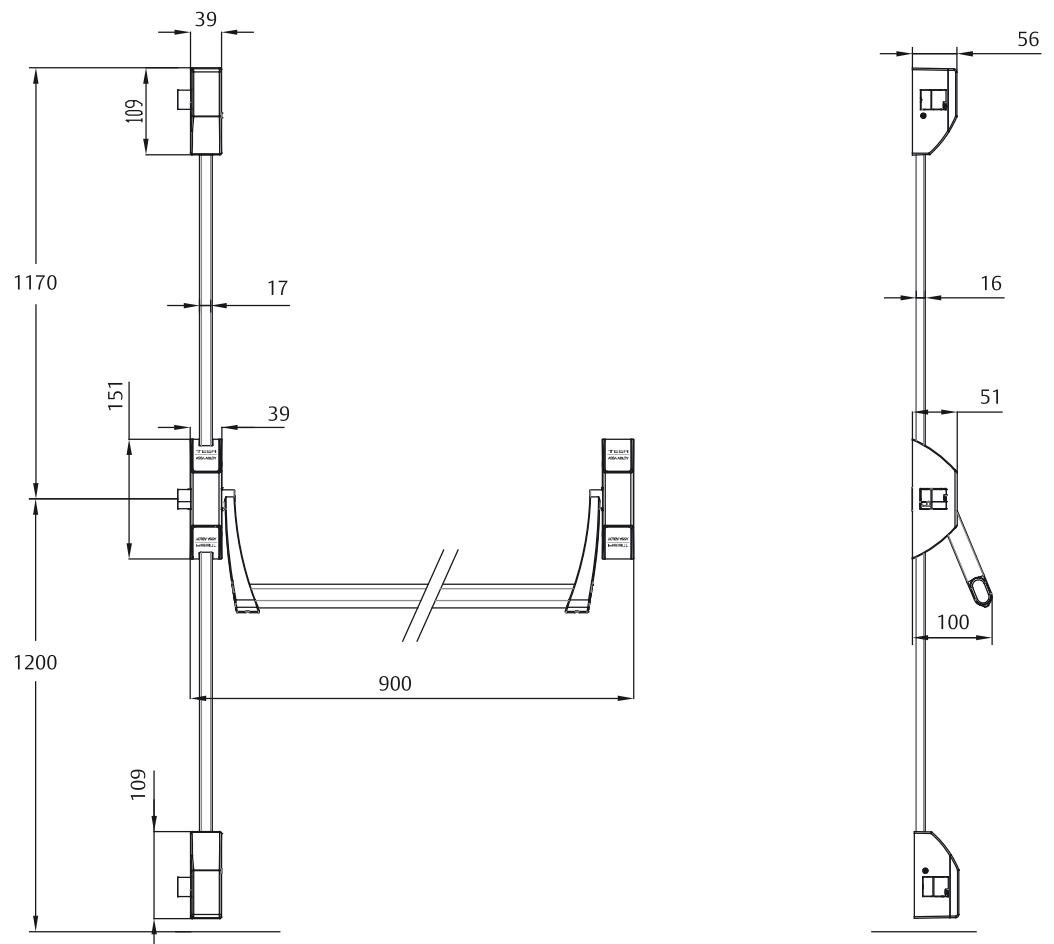
Feature	Limit value established in standard UNE-EN 1125	Additional feature certified by AENOR
2. Durability (cycles)	200.000 (grade 7)	300.000 (category A)
8. Projection of horizontal bar (mm)	up to 100 mm (grade 2)	80 < w ≤ 100 (category A)
Aesthetic resistance to corrosion (hours)	No category established	96 (category A)
Ease of use (N)	Maximum force (80 N) No category established	≤ 40 (category C)

Aesthetics



- Engraved logo on the cover (Figure 1)
- Engraved CE on cover supplement.
- Combination of materials and finishes on the cover.
 - Cover with trim (Figure 2)
 - Tube-arm ends. (Figure 2)
- Optimised tube geometry to take maximum advantage of the pushing force applied on the bar. (Figure 3)

Measurements:



Finishes:

Supports		Tube							
Cover	Trim	Grey	Green	Red	Black	White	Titanium	St. steel	S.S. AM
Grey	Black	•	•	•	•				
White	Black					•			
Titanium	Black						•	•	•
Satin	Black							•	•
St. steel	---							•	•

Anti
MICROBIAL
Anti
MICROBIAL
Anti
MICROBIAL
Anti
MICROBIAL

References according to finishes and lengths

Finish	Length (mm)	3 POINTS A/B VERT
GREY - GREY	900	GL3L908GG
GREY - BLACK		GL3L908GN
SATIN - STAINLESS STEEL		GL3L908SI
WHITE - WHITE		GL3L908BB
TITANIUM - STAINLESS STEEL		GL3L908TI
SATIN - BLACK		GL3L908SN
ST. STEEL - ST. STEEL		GL3L908II
TITANIUM - TITANIUM		GL3L908TT
GREY - RED		GL3L908GR
GREY - GREEN		GL3L908GV
ST. STEEL - ANTIMICROBIAL	GL3L908IIB	
GREY - GREY	1200	GL3L208GG
GREY - BLACK		GL3L208GN
SATIN - STAINLESS STEEL		GL3L208SI
WHITE - WHITE		GL3L208BB
TITANIUM - STAINLESS STEEL		GL3L208TI
SATIN - BLACK		GL3L208SN
ST. STEEL - ST. STEEL		GL3L208II
TITANIUM - TITANIUM		GL3L208TT
GREY - RED		GL3L208GR
GREY - GREEN		GL3L208GV
ST. STEEL - ANTIMICROBIAL	GL3L208IIB	

Available in 2 sizes: 900 mm and 1200 mm

Configuration on door

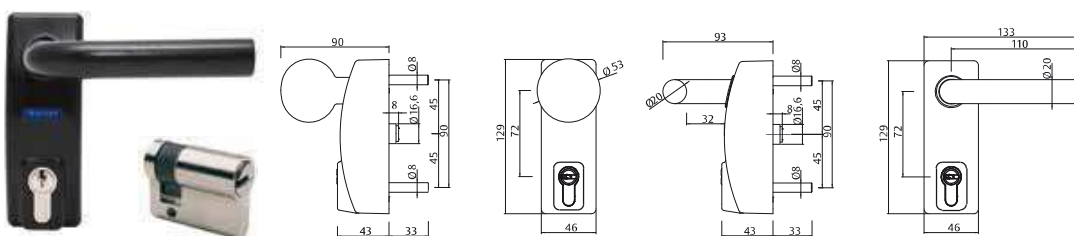


Rim series outside access device

With a cylinder

MMOD Modular Handle

- Activated with a handle or as a turning knob.
- 8 mm follower.
- 45-mm M5 fixing bolts that ensure robust coupling between the panic exit device and outside access device.
- Includes the option to enable the captive key function.

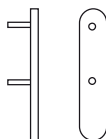


Outside device	Cylinder	Product code
Modular lever handle black RAL 9005	-	MMODMPSCNE
Modular lever handle silver RAL 9006	-	MMODMPSCGR
Modular lever handle nickel plated	-	MMODMPSSAT
Modular lever handle with euro-profile black RAL 9005	TE-5	MMODMBT5NE
Modular lever handle with euro-profile silver RAL 9006	TE-5	MMODMBT5GR
Modular lever handle with euro-profile nickel plated	TE-5	MMODMBTSAT
Modular lever handle with euro-profile black RAL 9005	-	MMODMBSCNE
Modular lever handle with euro-profile silver RAL 9006	-	MMODMBSCGR
Modular lever handle with euro-profile nickel plated	-	MMODMBSSAT
Modular swing pull knob with euro-profile black RAL 9005	TE-5	MMODPBT5NE
Modular swing pull knob with euro-profile silver RAL 9006	TE-5	MMODPBT5GR
Modular swing pull knob with euro-profile nickel plated	TE-5	MMODPBT5AT
Modular swing pull knob with euro-profile black RAL 9005	-	MMODPBSCNE
Modular swing pull knob with euro-profile silver RAL 9006	-	MMODPBSCGR
Modular swing pull knob with euro-profile nickel plated	-	MMODPBSSAT

Without a cylinder

Blind backplate

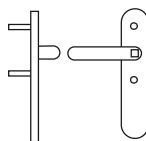
- 45-mm M5 fixing bolts that ensure robust coupling between the panic exit device and outside access device.



Activation type	Product code
Blind plate, black RAL 9005	E1910EXNE
Inox blind plate	E1910EXIS16

Passage door handle (unkeyed)

- 45-mm M5 fixing bolts that ensure robust coupling between the panic exit device and outside access device.



Activation type	Product code
Blind handle, black RAL 9005	S1913EXNE
Inox blind handle	S1913EXIS16

Packaging

The packaging includes:

- 1 main support, including mechanism, cover and arm
- 1 auxiliary support, including mechanism, cover and arm
- 2 top/bottom locking points, including mechanisms and covers
- 1 horizontal tube
- 2 rods
- Bag of accessories with mounting plate, mounting screws, rod guide, caps for arms and strikes
- Assembly instruction sheet
- Installation template

Panic exit device
GLOBAL RIM MODEL series
1 LATERAL POINT FOR PEOPLE
WITH REDUCED MOBILITY – GL1D



ASSA ABLOY

Experience a safer
and more open world

The **Global Rim model panic exit device** is a panic push bar activated by a steel tube that stands out for its **easy installation** and new **aesthetics** based on a new geometric design of straight lines and the combination of different materials on the cover. Its easy **reversibility** and its wide range of **finishes** (including the antimicrobial ones), measurements and accessories make it a versatile panic exit device that can be customised to adapt it to customers' requirements. Its mechanism is optimised to ensure maximum efficiency of the system and obtain **low opening forces**. It is **CE certified** and is **suitable for use on fire doors**. It also holds the **N mark** issued by AENOR, which guarantees both the quality of the product and its high performance. This model is specially designed for DEC environments where prevails the easy opening and the possibility of activating it by any of it's two bars.



Technical specifications

- TYPE A rim panic exit device with double action bar
- 1 lateral locking point
- 8 mm floating follower rod
 - Makes fitting easier
- Reversible
- Narrow supports
- Can be cut to size
- High performance:
 - Double action bar
 - Opens smoothly
 - Durability
 - Strength to recover
 - Latch with anti-card device
- Easy to fit
 - Can be pre-fitted with the mounting plate
 - Wide range of strikes available
- Microswitch and dogging device option
 - Fully effective dogging device due to working on the main mechanism
- Provides a solution for glass doors with outside access device
- Suitable for use on fire doors
- EN 1125 certification in the following combinations:

3 7 6 B 1 3 2 2 A A

Anti
MICROBIAL



DEC
Disabled,
Elderly and
Children

CE certification

CLASSIFICATION	Grade	Description
1. Category of use	3	High frequency of use
2. Durability	6 – 7	(6) 100,000 – (7) 200,000 cycles
3. Door mass	5 – 6 – 7	(5) ≤100 Kg – (6) ≤200 Kg – (7) >200 Kg
4. Suitable for use on doors	0 – A – B	(0) Not suitable for use on fire/smoke doors – (A) Suitable for use on smoke doors – (B) Suitable for use on fire and smoke doors.
5. Safety of people	1	Only requires the top grade of safety (grade 1). All panic exit devices have a critical safety function as regards the safety of people; therefore, only the top grade is admitted by this standard.
6. Corrosion resistance	3 – 4	(3) ≤96 h – (4) ≤240 h
7. Safety of property	2	Only one grade of safety is required (grade 2)
8. Projection of the horizontal bar	1 – 2	(1) ≤150 mm – (2) ≤100 mm
9. Type of horizontal bar operation	A -B	(A) Push-bar – (B) Touch-bar
10. Field of application	A – B -C	(A) Single doors, double doors: Active or passive leaf – (B) Only doors with one leaf – (C) Doors with two leaves, only the inactive leaf

AENOR certification

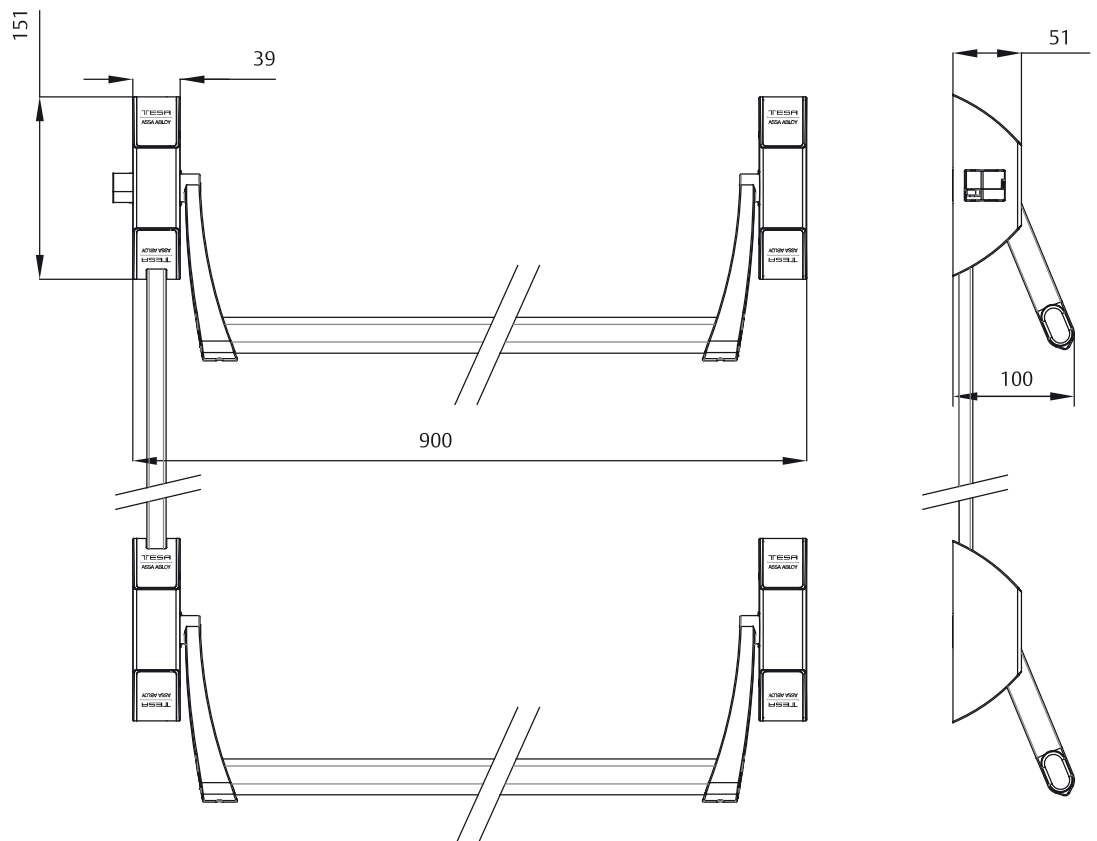
Feature	Limit value established in standard UNE-EN 1125	Additional feature certified by AENOR
2. Durability (cycles)	200.000 (grade 7)	300.000 (category A)
8. Projection of horizontal bar (mm)	up to 100 mm (grade 2)	80 < w ≤ 100 (category A)
Aesthetic resistance to corrosion (hours)	No category established	96 (category A)
Ease of use (N)	Maximum force (80 N) No category established	≤ 40 (category C)

Aesthetics



- Engraved logo on the cover (Figure 1)
- Engraved CE on cover supplement.
- Combination of materials and finishes on the cover.
 - Cover with trim (Figure 2)
 - Tube-arm ends. (Figure 2)
- Optimised tube geometry to take maximum advantage of the pushing force applied on the bar. (Figure 3)

Measurements:



Finishes:

Supports		Tube							
Cover	Trim	Grey	Green	Red	Black	White	Titanium	St. steel	S.S. AM
Grey	Black	•	•	•	•				
White	Black					•			
Titanium	Black						•	•	•
Satin	Black							•	•
St. steel	---							•	•

Anti
MICROBIAL
Anti
MICROBIAL
Anti
MICROBIAL
Anti
MICROBIAL

References according to finishes and lengths

Finish	Length (mm)	1 POINT	
GREY - GREY	900	GL1D908GG	
GREY - BLACK		GL1D908GN	
SATIN - STAINLESS STEEL		GL1D908SI	
WHITE - WHITE		GL1D908BB	
TITANIUM - STAINLESS STEEL		GL1D908TI	
SATIN - BLACK		GL1D908SN	
ST. STEEL - ST. STEEL		GL1D908II	
TITANIUM - TITANIUM		GL1D908TT	
GREY - RED		GL1D908GR	
GREY - GREEN		GL1D908GV	
ST. STEEL - ANTIMICROBIAL		GL1D908IIB	
GREY - GREY		1200	GL1D208GG
GREY - BLACK			GL1D208GN
SATIN - STAINLESS STEEL			GL1D208SI
WHITE - WHITE	GL1D208BB		
TITANIUM - STAINLESS STEEL	GL1D208TI		
SATIN - BLACK	GL1D208SN		
ST. STEEL - ST. STEEL	GL1D208II		
TITANIUM - TITANIUM	GL1D208TT		
GREY - RED	GL1D208GR		
GREY - GREEN	GL1D208GV		
ST. STEEL - ANTIMICROBIAL	GL1D208IIB		

Available in 2 sizes: 900 mm and 1200 mm

Configuration on door

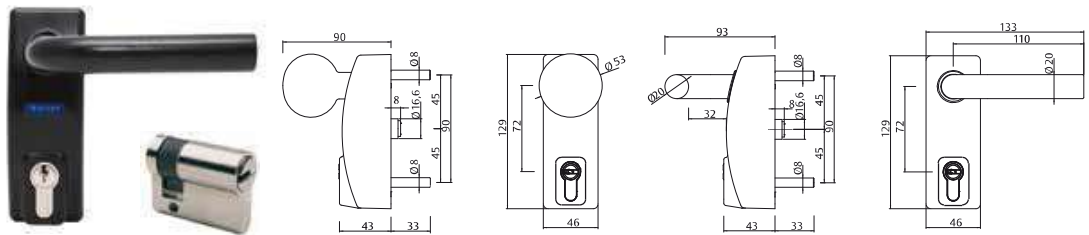


Rim series outside access device

With a cylinder

MMOD Modular Handle

- Activated with a handle or as a turning knob.
- 8 mm follower.
- 45-mm M5 fixing bolts that ensure robust coupling between the panic exit device and outside access device.
- Includes the option to enable the captive key function.

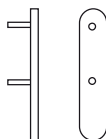


Outside device	Cylinder	Product code
Modular lever handle black RAL 9005	-	MMODMPSCNE
Modular lever handle silver RAL 9006	-	MMODMPSCGR
Modular lever handle nickel plated	-	MMODMPSSAT
Modular lever handle with euro-profile black RAL 9005	TE-5	MMODMBT5NE
Modular lever handle with euro-profile silver RAL 9006	TE-5	MMODMBT5GR
Modular lever handle with euro-profile nickel plated	TE-5	MMODMBTSAT
Modular lever handle with euro-profile black RAL 9005	-	MMODMBSCNE
Modular lever handle with euro-profile silver RAL 9006	-	MMODMBSCGR
Modular lever handle with euro-profile nickel plated	-	MMODMBSSAT
Modular swing pull knob with euro-profile black RAL 9005	TE-5	MMODPBT5NE
Modular swing pull knob with euro-profile silver RAL 9006	TE-5	MMODPBT5GR
Modular swing pull knob with euro-profile nickel plated	TE-5	MMODPBT5AT
Modular swing pull knob with euro-profile black RAL 9005	-	MMODPBSCNE
Modular swing pull knob with euro-profile silver RAL 9006	-	MMODPBSCGR
Modular swing pull knob with euro-profile nickel plated	-	MMODPBSSAT

Without a cylinder

Blind backplate

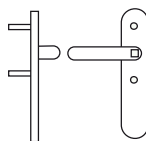
- 45-mm M5 fixing bolts that ensure robust coupling between the panic exit device and outside access device.



Activation type	Product code
Blind plate, black RAL 9005	E1910EXNE
Inox blind plate	E1910EXIS16

Passage door handle (unkeyed)

- 45-mm M5 fixing bolts that ensure robust coupling between the panic exit device and outside access device.



Activation type	Product code
Blind handle, black RAL 9005	S1913EXNE
Inox blind handle	S1913EXIS16

Packaging

The packaging includes:

- 1 main support for the upper bar, including mechanism, cover and arm
- 1 main support for the lower bar, including mechanism, cover and arm
- 2 auxiliary supports, including mechanism, cover and arm
- 2 top/bottom locking points, including mechanisms and covers
- 2 horizontal tubes
- Accessory bags with base plate, follower, mounting screws, bolt guide, trims for the covers, caps for the arms and strikers
- Assembly instruction sheet
- Installation template

Panic exit device
 GLOBAL RIM MODEL series
 2/3 VERTICAL POINTS FOR PEOPLE
 WITH REDUCED MOBILITY – GL3D



ASSA ABLOY

Experience a safer
 and more open world

The **Global Rim model panic exit device** is a panic push bar activated by a steel tube that stands out for its **easy installation** and new **aesthetics** based on a new geometric design of straight lines and the combination of different materials on the cover. Its easy **reversibility** and its wide range of **finishes** (including the antimicrobial ones), measurements and accessories make it a versatile panic exit device that can be customised to adapt it to customers' requirements. Its mechanism is optimised to ensure maximum efficiency of the system and obtain **low opening forces**. It is **CE certified** and is **suitable for use on fire doors**. It also holds the **N mark** issued by AENOR, which guarantees both the quality of the product and its high performance. This model is specially designed for DEC environments where prevails the easy opening and the possibility of activating it by any of it's two bars.



Anti
 MICROBIAL



Technical specifications

- TYPE A rim panic exit device with double action bar
- 2/3 locking points: central with anti-card device and vertical locking points (top and bottom)
- 8 mm floating follower rod
 - Makes fitting easier
- Reversible
- Narrow supports
- Can be cut to size
- High performance:
 - Double action bar
 - Opens smoothly
 - Durability
 - Strength to recover
- Easy to fit
 - Can be pre-fitted with the mounting plate
 - Wide range of strikes available
- Microswitch and dogging device option
 - Fully effective dogging device due to working on the main mechanism
- Provides a solution for glass doors with outside access device
- Suitable for use on fire doors
- EN 1125 certification in the following combinations:

3 7 6 B 1 3 2 2 A A

CE certification

CLASSIFICATION	Grade	Description
1. Category of use	3	High frequency of use
2. Durability	6 – 7	(6) 100,000 – (7) 200,000 cycles
3. Door mass	5 – 6 – 7	(5) ≤100 Kg – (6) ≤200 Kg – (7) >200 Kg
4. Suitable for use on doors	0 – A – B	(0) Not suitable for use on fire/smoke doors – (A) Suitable for use on smoke doors – (B) Suitable for use on fire and smoke doors.
5. Safety of people	1	Only requires the top grade of safety (grade 1). All panic exit devices have a critical safety function as regards the safety of people; therefore, only the top grade is admitted by this standard.
6. Corrosion resistance	3 – 4	(3) ≤96 h – (4) ≤240 h
7. Safety of property	2	Only one grade of safety is required (grade 2)
8. Projection of the horizontal bar	1 – 2	(1) ≤150 mm – (2) ≤100 mm
9. Type of horizontal bar operation	A -B	(A) Push-bar – (B) Touch-bar
10. Field of application	A – B -C	(A) Single doors, double doors: Active or passive leaf – (B) Only doors with one leaf – (C) Doors with two leaves, only the inactive leaf

AENOR certification

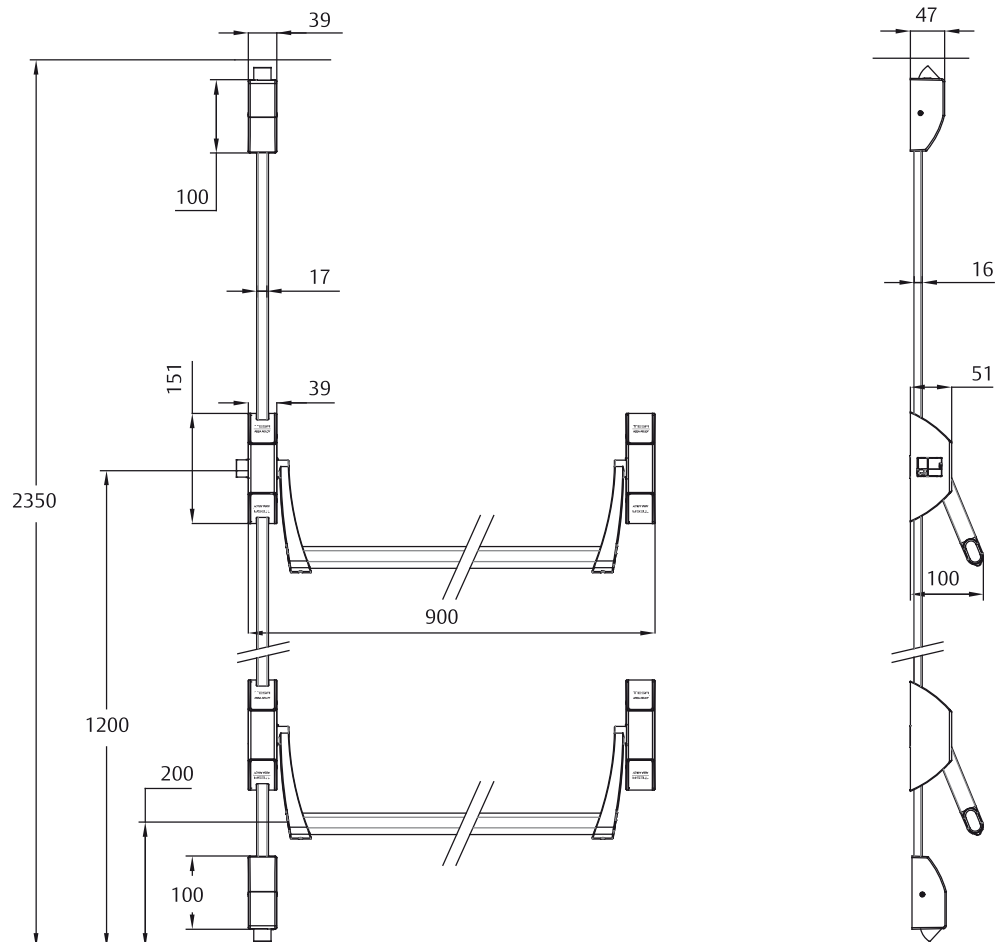
Feature	Limit value established in standard UNE-EN 1125	Additional feature certified by AENOR
2. Durability (cycles)	200.000 (grade 7)	300.000 (category A)
8. Projection of horizontal bar (mm)	up to 100 mm (grade 2)	80 < w ≤ 100 (category A)
Aesthetic resistance to corrosion (hours)	No category established	96 (category A)
Ease of use (N)	Maximum force (80 N) No category established	≤ 40 (category C)

Aesthetics



- Engraved logo on the cover (Figure 1)
- Engraved CE on cover supplement.
- Combination of materials and finishes on the cover.
 - Cover with trim (Figure 2)
 - Tube-arm ends. (Figure 2)
- Optimised tube geometry to take maximum advantage of the pushing force applied on the bar. (Figure 3)

Measurements:



Finishes:

Supports		Tube							
Cover	Trim	Grey	Green	Red	Black	White	Titanium	St. steel	S.S. AM
Grey	Black	•	•	•	•				
White	Black					•			
Titanium	Black						•	•	•
Satin	Black							•	•
St. steel	---							•	•

Anti
MICROBIAL
Anti
MICROBIAL
Anti
MICROBIAL
Anti
MICROBIAL

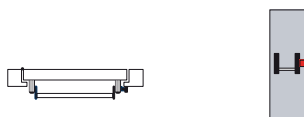
References according to finishes and lengths

Finish	Length (mm)	1 POINT
GREY - GREY	900	GL3D908GG
GREY - BLACK		GL3D908GN
SATIN - STAINLESS STEEL		GL3D908SI
WHITE - WHITE		GL3D908BB
TITANIUM - STAINLESS STEEL		GL3D908TI
SATIN - BLACK		GL3D908SN
ST. STEEL - ST. STEEL		GL3D908II
TITANIUM - TITANIUM		GL3D908TT
GREY - RED		GL3D908GR
GREY - GREEN		GL3D908GV
ST. STEEL - ANTIMICROBIAL	GL3D908IIB	
GREY - GREY	1200	GL3D208GG
GREY - BLACK		GL3D208GN
SATIN - STAINLESS STEEL		GL3D208SI
WHITE - WHITE		GL3D208BB
TITANIUM - STAINLESS STEEL		GL3D208TI
SATIN - BLACK		GL3D208SN
ST. STEEL - ST. STEEL		GL3D208II
TITANIUM - TITANIUM		GL3D208TT
GREY - RED		GL3D208GR
GREY - GREEN		GL3D208GV
ST. STEEL - ANTIMICROBIAL	GL3D208IIB	

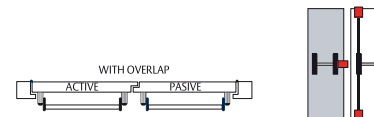
Available in 2 sizes: 900 mm and 1200 mm

Configuration on door

1 leaf door



2 leaf door

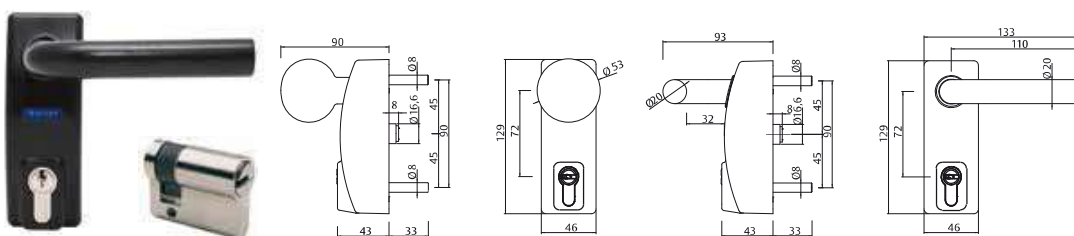


Rim series outside access device

With a cylinder

MMOD Modular Handle

- Activated with a handle or as a turning knob.
- 8 mm follower.
- 45-mm M5 fixing bolts that ensure robust coupling between the panic exit device and outside access device.
- Includes the option to enable the captive key function.

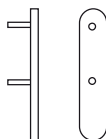


Outside device	Cylinder	Product code
Modular lever handle black RAL 9005	-	MMODMPSCNE
Modular lever handle silver RAL 9006	-	MMODMPSCGR
Modular lever handle nickel plated	-	MMODMPSSAT
Modular lever handle with euro-profile black RAL 9005	TE-5	MMODMBT5NE
Modular lever handle with euro-profile silver RAL 9006	TE-5	MMODMBT5GR
Modular lever handle with euro-profile nickel plated	TE-5	MMODMBTSAT
Modular lever handle with euro-profile black RAL 9005	-	MMODMBSCNE
Modular lever handle with euro-profile silver RAL 9006	-	MMODMBSCGR
Modular lever handle with euro-profile nickel plated	-	MMODMBSSAT
Modular swing pull knob with euro-profile black RAL 9005	TE-5	MMODPBT5NE
Modular swing pull knob with euro-profile silver RAL 9006	TE-5	MMODPBT5GR
Modular swing pull knob with euro-profile nickel plated	TE-5	MMODPBT5AT
Modular swing pull knob with euro-profile black RAL 9005	-	MMODPBSCNE
Modular swing pull knob with euro-profile silver RAL 9006	-	MMODPBSCGR
Modular swing pull knob with euro-profile nickel plated	-	MMODPBSSAT

Without a cylinder

Blind backplate

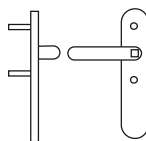
- 45-mm M5 fixing bolts that ensure robust coupling between the panic exit device and outside access device.



Activation type	Product code
Blind plate, black RAL 9005	E1910EXNE
Inox blind plate	E1910EXIS16

Passage door handle (unkeyed)

- 45-mm M5 fixing bolts that ensure robust coupling between the panic exit device and outside access device.



Activation type	Product code
Blind handle, black RAL 9005	S1913EXNE
Inox blind handle	S1913EXIS16

Packaging

The packaging includes:

- 1 main support for the upper bar, including mechanism, cover and arm
- 1 main support for the lower bar, including mechanism, cover and arm
- 2 auxiliary supports, including mechanism, cover and arm
- 2 horizontal tubes
- 2 bolts
- Accessory bags with base plate, follower, mounting screws, bolt guide, trims for the covers, caps for the arms and strikers
- Assembly instruction sheet
- Installation template